

# ProSeries™ CHEM-PRO™ Diaphragm Metering Pump

Blue-White Ind. Engineering and Technical Data Sheet

## C3 series

- Diaphragm Failure Detection
- Variable Speed
- Washdown
- 2 Year Warranty



### Features:

- Output, Feed Rate (dosing) up to:
  - 42 GPH, 1,004 GPD
  - 158 LPH, 3,802 LPD
- Output pressures to 175 PSI.
- Operator friendly digital touch pad.
  - Easy to read Back Lit LCD display
  - Display percentage of motor speed
  - Display Diaphragm Failure Alarm
- Oversized PVDF double ball valves.
- DFD, Built-in Diaphragm Failure Detection system. Senses chemical in the pump head, shuts off the pump.
- Priming / degassing valve built into the pumphead
- Housing made of durable, chemical resistant, powder coated Aluminum.
- Suction tubing (10 feet), injection fitting, and foot valve supplied with each pump.
- NEMA 4X and IP66 rated enclosure

### Specifications:

**Max. working pressure:** .....175 psig (12.1 bar)  
**Max. fluid temperature:** .....130° F (54° C)  
**Max. ambient temperature:** ..14° to 115° F (-10° to 46.1° C)  
**Output adjustment range:** ....5-100% in 1% increments  
**Duty cycle:**.....Continuous  
**Maximum viscosity:** .....1,000 Centipoise  
**Maximum suction lift:** .....15 ft. Water, 0 psig (4.5 m, 0 bar)  
**Enclosure:** .....NEMA 4X, (IP66)

**Voltage (amp draw):** .....115VAC/60Hz, 1ph (1.5 amp max)  
 .....230VAC/60Hz, 1ph (.7 amp max)  
 .....220VAC/50Hz, 1ph (1 amp max)  
**Power Cord Plug Type:**.....115V60Hz = NEMA 5/15 (USA)  
 .....230V60Hz = NEMA 6/15 (USA)  
 .....220V50Hz = CEE 7/VI (EU)  
**Approximate shipping wt:** ...29 lb.

### Materials of Construction:

#### Wetted components:

**Diaphragm:** .....Teflon®, (Teflon coated Hypalon®)  
**Pump Head & adapters:**.....PVDF (natural)  
**Injection / Check valve:**  
   **Body & insert:** .....PVDF (natural)  
   **Check Ball:** .....Ceramic  
   **Spring:** .....Hastelloy C-276  
   **Elastomers (O-ring):** .....Viton® (optional EP)  
**Footvalve / Strainer:**.....PVDF / Polypropylene (natural)  
**Suction Tubing** .....PVC (clear)

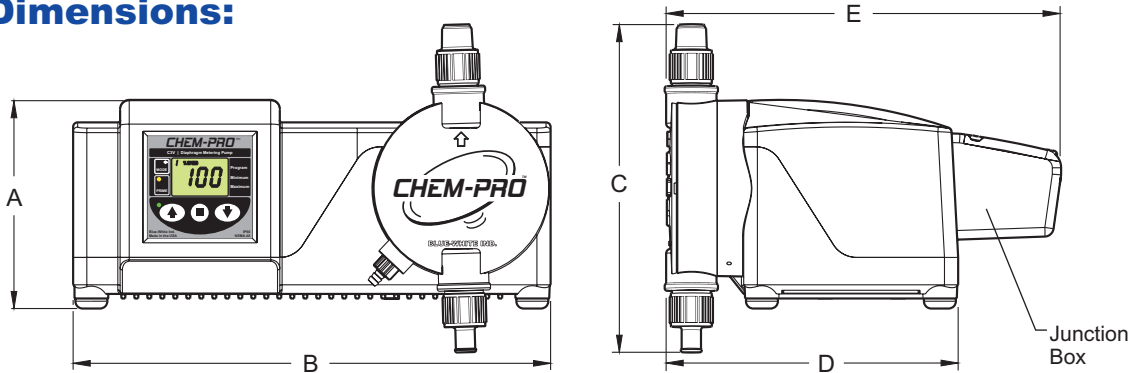
#### Non-Wetted components:

**Enclosure:** .....413 Aluminum (powder coated)  
**Pump Head Cover:**.....413 Aluminum (powder coated)  
**Cover Screws:** .....300 Stainless Steel  
**DFD System Sensor pins:** ....Hastelloy C-276  
**Power Cord:** .....3 conductor, SJTW-A Water-resistant  
**Mounting Brackets** .....Stainless Steel

# ProSeries™ CHEM-PRO™ Diaphragm Metering Pump

Blue-White Ind. Engineering and Technical Data Sheet

## Dimensions:



Dim	Inches	mm
A	5-3/4"	144.8
B	13-1/8"	332.7
C	9"	228
D	8"	203.2
E	10-3/4"	274.3

## Series Comparison:

Series	Junction Box	DFD (Leak Detection)	FVS (Flow Verification sys.)	External Communications (input)			Output
				4-20 mA	0-10 VDC	Pulsed	Alarm Relay 3 Amp
<b>C3F</b>	Optional	Yes	Yes	No	No	No	Yes
<b>C3V</b>	Yes	Yes	Yes	Yes	Yes	Yes	Yes

## Model Number Matrix:

<b>Output Control</b> F = Standard (ships without junction box) V = Deluxe (ships with junction box)
<b>Max Strokes per Minute</b> 1 = 62      2 = 130
<b>Input Voltage</b> 4 = 115V 60Hz 5 = 230V 60Hz 6 = 220V 50Hz
<b>CAM Stroke Length</b> 1 = .060" (1.524 mm)      2 = .100" (2.54 mm)

MODEL C3

<b>Outlet Fitting Connections</b> A = Male, 1/2" NPT (ships with Male, 1/2" NPT injection fitting) B = Female, 1/2" NPT (ships with Male, 1/2" NPT injection fitting) C = Barb, 1/2" Hose (ships with Barb, 1/2" hose injection fitting)
---

<b>Elastomer Material (o-rings)</b> V = Viton      E = EP
--

<b>Electrical Options</b> X = Standard Equipment (standard power cord based on "input voltage" & junction box based on "output control" selection) P = Power cord with junction box (this selection only available if you select "F" under "output control")
--

Note: Foot valve ships with 1/2" Hose Barb as standard

## Model Numbers:

Maximum Output at Maximum Pressure							C3F Series			C3V Series		
GPD	GPH	LPD	LPH	Max PSI	Max Bar	Strokes Per minute	115V/60Hz Model Number	230V/60Hz Model Number	220V/50Hz Model Number	115V/60Hz Model Number	230V/60Hz Model Number	220V/50Hz Model Number
118	4.9	446	18.6	175	12	62	C3F141XVA	C3F151XVA	C3F161XVA	C3V141XVA	C3V151XVA	C3V161XVA
350	14.6	1325	55.2	150	10.3	62	C3F142XVA	C3F152XVA	C3F162XVA	C3V142XVA	C3V152XVA	C3V162XVA
270	11.3	1022	42.6	150	10.3	130	C3F241XVA	C3F251XVA	C3F261XVA	C3V241XVA	C3V251XVA	C3V261XVA
833	34.7	3154	131.4	80	5.5	130	C3F242XVA	C3F252XVA	C3F262XVA	C3V242XVA	C3V252XVA	C3V262XVA

## Maximum Output vs. Pressure

