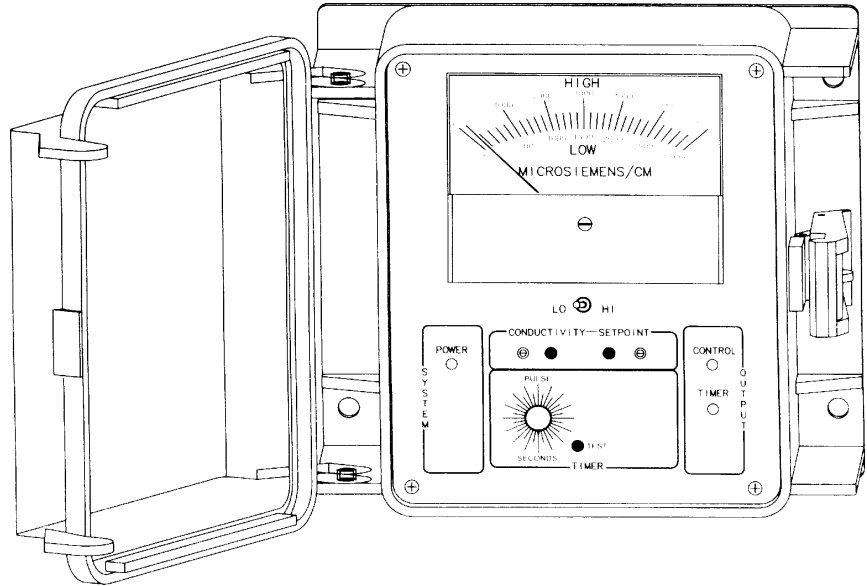


# Model 2-AM

## Conductivity Controllers



## Key Features

- NEMA 4X Type Enclosure
- Simple to Operate
- Large Meter Display
- Front Panel Calibration
- Front Panel Set Point
- LED Indicator Lights
- Dual Scale Flexibility
- Adjustable Differential
- Low Cost
- Pre-Wired Configuration
- 2 Year Warranty

## Application

Model 2-AM and 2-A controllers provide reliable conductivity control of recirculating water systems such as cooling towers.

Model 2-AM provides a large analog meter needle display of the conductivity reading. Model 2-A uses a linear dial display.

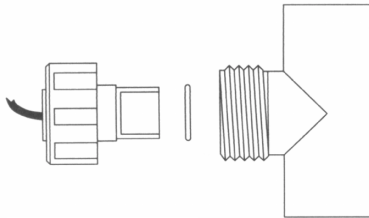
The standard dual scale capabilities and optional digital feed timing circuits offer superior accuracy.

Simple analog meter design utilizing state of the art electronics is easy to understand and operate at an affordable price.

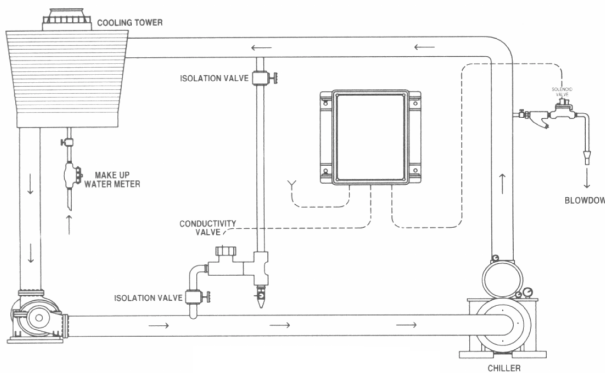
# Options

Your unit may be supplied with one or more options listed at the end of the model number, for example 2-AM-15. This list represents our most popular options. For a complete list of options, consult the factory.

- 1 Pump lockout timer 0-90 minutes
- 2 Pump pulse timer, 0-150 seconds
- 3 Conduit connections
- 4 230 V 50/60 Hz (Requires Option 3)
- 5 Mounted flow switch
- 6 Recorder output (0-1 mA)
- A Tank Mount Electrode
- C 4-20 mA non-isolated output
- D Reverse set point
- K Percentage Timer
- O Terminal strip hook-up for solenoid valve
- P Lockout bleed when using lock out or pulse timer
- Q Optional scales (See Price List)
- T Time Tracker - feed after bleed timer
- X Hi/Low Alarm with Relay Output



TE-4A Electrode with quick disconnect



Typical Installation

# Specifications

## Electrical

- **Input:** 115 VAC, 60 Hz
  - **Control:** 115 VAC Relay 15 amp resistive
- Prewired units are supplied with an eight foot power cord and 11" output receptacles.

## Operational

- **Display:** 2-A - Linear Dial  
2-AM - 3½" Analog Meter
- **Scale:** 0-3000 and 0-6000 (standard)
- **Drift:** Less than 0.25% per month
- **Differential:** Adjustable from 2 to 12% of scale
- **Accuracy:** +/- 2%

## Enclosure

Heavy Duty NEMA 4X type high impact thermoplastic with padlockable gasketed Lexan viewing door.

## Environment

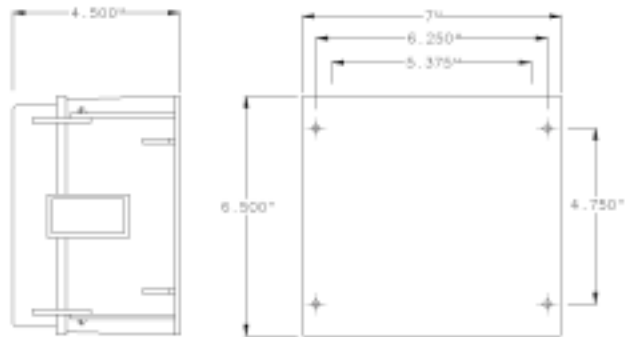
- Ambient temperature: 0° to 140°F (-17 to 58°C)
- Relative humidity: 0 to 100%

## Electrode

- Standard TE-4A temperature compensated electrode supplied in a 3/4"(1.9 cm) FSLIP tee.
- Pressure Max: 150 psi (10.4 bar)
  - Temperature Max: 140°F (58°C)

**Shipping Weight:** Approximately 4 lbs

**Dimensions:** W 7" x H 6.5" x D 4.5"



4700 Harold Abitz Dr  
Muskogee, OK 74403  
800-743-7431 phone  
888-686-6212 fax  
www.advantagecontrols.com