

CD1

Multi-Diaphragm Metering Pump



Video link: 

Features

- > Multi-diaphragm technology for smooth, nearly pulseless chemical feed
- > Automatic Degassing Valve (ADV) reduces the risk of vapor lock
- > Diaphragm Failure Detection (DFD) system senses diaphragm failure
- > Exclusive DiaFlex® Diaphragm guaranteed to last the life of the pump
- > SCADA Inputs include: 4-20 mA (on "V" models), Remote Start/Stop
- > SCADA Outputs include: 4-20 mA (on "V" models), single 250V/3A Relay (DFD/FVS), and a single solid state (Motor On)



Highlights

Flow range

0.004 - 8.50 GPH, 0 PSI
0.004 - 7.50 GPH, 150 PSI

Pressures

Up to 150 PSI
(10.3 bar)

Turndown ratio

2,000 : 1

Exclusive

Diaphragm Failure Detection
(DFD)

Motor

Brushless
DC Motor

Warranty

2 Years

Control Methods

Control Methods	Manual Control	4-20mA Input	Remote Start/Stop	4-20mA Output	Alarm Output	FVS	Motor Status Output
CD1F	•		•		•	•	•
CD1V	•	•	•	•	•	•	•

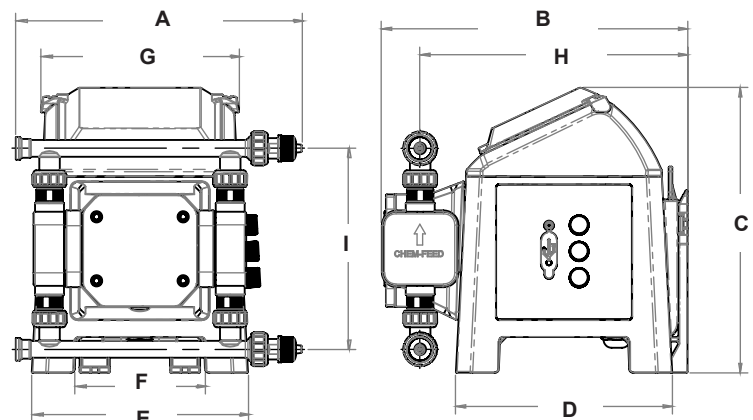


Maximum Working Pressure	Up to 150 psig (10.3 bar)*
Maximum Fluid Temperature	Up to 185 °F (85 °C)
Maximum Ambient Temperature	14 °F to 115 °F / -10 °C to 46 °C
Maximum Viscosity	1,000 Centipoise
Maximum Suction Lift	20 ft. at 0 PSI
Operating Voltage Range	100 to 240VAC-50/60Hz
	115V50/60Hz = NEMA 5/15 (USA)
	230V50/60Hz = NEMA 6/15 (USA)
Power Cord Options	220V50/60Hz = CEE 7/VII (EU)
	240V50/60Hz = AS 3112 (Australia/New Zealand)
	230V50/60Hz = BS 1363/A (UK)
Signal Connectors	M12 - 5 pin (IP67 rated connectors on "V" models)
Motor	Brushless DC, 50W
Duty Cycle	Continuous
Turndown Ratio	2,000:1, (0.05% – 100%) Max Motor rpm = 100 (200 strokes/min)
Maximum Overall Dimensions	9.5" W x 9.5" H x 10.4" D (24.1 W x 24.1 H x 26.4 D cm)
Product Weight	8.5 lb. (3.8 Kg)
Approximate Shipping Dimensions	10.5" W x 11.75" H x 13" D (26.7 W x 29.8 H x 33 D cm)
Approximate Shipping Weight	15.5 lb. (7.0 Kg)
Enclosure	NEMA 4X (IP66), Valox® (PBT)
RoHS Compliant	Yes
Standards	cETLus, CE

* Refer to "Flow rate vs Pressure" graph for details.

Dimensions

Dim	Inch	cm	Dim	Inch	cm
A	9.49"	24.10	F	4.32"	10.98
B	10.15"	25.78	G	6.57"	16.69
C	9.46"	24.02	H	8.87"	22.54
D	7.18"	18.23	I	6.67"	16.94
E	7.18"	18.23			



Non-wetted Components:

Enclosure: Valox® (PBT)

Control Panel Cover: Polycarbonate

Drive Enclosure: Valox® (PBT) & PA12

Pump Head Cover: Polycarbonate

Cover Screws: Stainless steel, polypropylene cap

DFD System Sensor Pins: Hastelloy C-276

Power Cord: 3 conductor, SJTW-A water-resistant

Hardware: 316 stainless steel screws

Mounting Brackets: Nylon

Wetted Components:

Pump Head : PVDF

Adapter Connections: PVDF

Valve Cartridges : PVDF

Valve Balls : Ceramic

O-Ring Seals : TFE/P (optional EP)

Diaphragm : DiaFlex® (optional Flex-A-Prene®)

Pump Head Assembly:

Ancillary Items Provided:

Suction Tubing : 3/8" OD x 1/4" ID x 5' Clear PVC

Discharge Tubing : 3/8" OD x 1/4" ID x 5' Polyethylene

Body & Insert : PVDF

Injection / Back-Flow Check Valve:

Check Ball : Ceramic

Spring : Hastelloy C-276, 6 lbs.

O-Ring Seals : TFE/P (optional EP)

Body & Adapter : PVDF

Check Ball : Ceramic

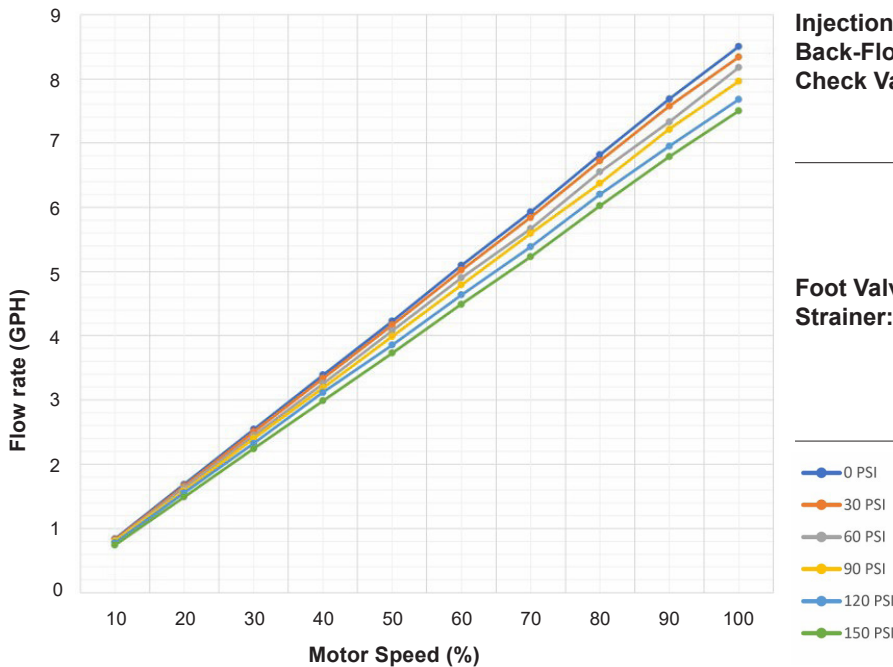
Foot Valve / Strainer:

Spring : Hastelloy C-276, 6 lbs.

O-Ring Seals : TFE/P (optional EP)

Filter Screen : PVDF

Performance



Motor Speed %	Flowrate (Gal/hr), Pressure						Flowrate (mL/min), Pressure					
	0 PSI	30 PSI	60 PSI	90 PSI	120 PSI	150 PSI	0 PSI	30 PSI	60 PSI	90 PSI	120 PSI	150 PSI
	0 Bar	2.1 Bar	4.2 Bar	6.2 Bar	8.3 Bar	10.3 Bar	0 Bar	2.1 Bar	4.2 Bar	6.2 Bar	8.3 Bar	10.3 Bar
10	0.83	0.82	0.81	0.80	0.78	0.74	52.7	51.9	51.0	50.7	48.9	46.5
20	1.68	1.66	1.63	1.58	1.55	1.49	106.3	104.7	102.8	100.0	98.0	93.8
30	2.54	2.50	2.44	2.40	2.32	2.24	160.3	157.9	154.2	151.3	146.6	141.4
40	3.39	3.34	3.26	3.19	3.12	2.99	213.7	210.6	205.4	201.3	196.6	188.6
50	4.23	4.17	4.08	3.99	3.86	3.73	266.8	262.9	257.5	251.9	243.3	235.4
60	5.10	5.02	4.90	4.79	4.63	4.49	321.6	316.9	309.1	302.2	292.4	283.3
70	5.93	5.84	5.67	5.59	5.38	5.23	373.9	368.5	357.6	352.7	339.6	330.0
80	6.82	6.72	6.55	6.37	6.20	6.02	430.2	424.0	413.1	402.1	391.1	379.9
90	7.69	7.58	7.33	7.21	6.95	6.79	485.1	478.0	462.6	455.2	438.4	428.1
100	8.50	8.34	8.18	7.96	7.68	7.50	536.3	526.0	516.0	502.0	484.4	473.3

Model Number Matrix

CD1

CHEM-FEED® Model Number

CD1	CHEM-FEED® Diaphragm Metering Pump				
Control					
F	Standard Control Methods (Manual, Remote, FVS)				
V	4-20mA Input, 4-20mA Output, in addition to Standard Control Methods (Manual, Remote, FVS)				
Diaphragm and O-Rings Material					
V	DiaFlex® Diaphragms and TFE/P O-Rings (For all chemicals excluding caustic soda and aqueous ammonia)				
E	Flex-A-Prene® Diaphragms and EP O-Rings (For caustic soda and aqueous ammonia)				
Pump Fittings (Inlet / Outlet)					
B	1/2" ID Barb Straight Fittings				
C	1/2" ID Barb Elbow Fittings				
S	1/4" x 3/8" Compression Straight Fittings				
T	1/4" x 3/8" Compression Elbow Fittings				
M	1/2" M/NPT Straight Fittings				
X	1/2" M/NPT Elbow Fittings				
Power Cord - Removable (Operating voltage requirement 96VAC to 264VAC)					
4	115V 50/60Hz, power cord NEMA 5/15 plug (US)				
6	220V 50/60Hz, power cord CEE 7/V11 plug (EU)				
X	No Power Cord Provided (Power cord is required - See accessories for power cord options)				
CD1	F	V	B	4	Sample Model Number

Accessories

 <p>KIT-S07 KIT-S15 KIT-S30</p> <p>* Includes cover and foot valve</p> <p>KIT-S07 (7 Gallon), KIT-S15 (15 Gallon), KIT-S30 (30 Gallon) STAR III TANKS, PP</p>	 <p>KIT-PSM WALL MOUNT BRACKET, HDPE</p>	 <p>CABLE-UAC USB A-C CABLE - 3 ft</p>	
<p>POWER CABLES - 6 ft 90010-663 115V/60Hz NEMA 5/15 90010-664 220V/50Hz CEE 7/V11 90010-665 230V/50Hz BS 1363/A 90010-666 240V/50Hz AS 3112 90010-696 230V/60Hz NEMA 6/15 90010-821 115V Lockable</p> <p>POWER CABLES</p>	 <p>KIT-M12 TWO M12 CABLES - 9.8 ft</p>	 <p>KIT-CQA (Aflas) / KIT-CQE (EP) QUICK CONNECT KIT MD1</p>	<p>Teflon Ball Check Cartridge Valve Kit (PVDF body, TFE/P O-rings, PTFE balls) 4 cartridges included. (3 Double-Ball, 1 De-Gas)</p> <p>KIT-DVA1-P PTFE Ball Check</p>

Visit Accessory Pages for More Options

P.N. #85000-154 CD1 Rev. 13 2024312

4 5300 Business Drive, Huntington Beach, CA 92649
TEL 714-893-8529 | FAX 714-894-9492 | www.blue-white.com | sales@blue-white.com

ISO 9001:2015 CERTIFIED  MADE IN THE USA