

CS3795

ISOMAG 



FLOMOTION
SYSTEMS

BLIND INSERTION ELECTROMAGNETIC FLOWMETERS

Combines reliable full-pipe flow measurement with low-cost, compact size and ease of installation.

ELECTROMAGNETIC FLOWMETER



TYPICAL APPLICATIONS

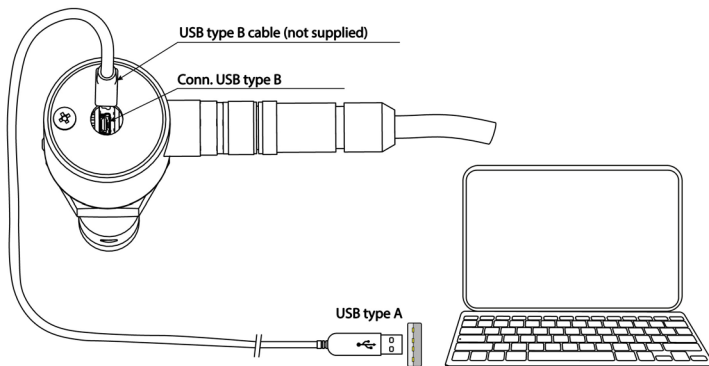
- Water
- Polymers
- Wastewater
- Lime Slurries
- Dyes
- Process Chemicals
- Brine
- Caustics
- Slurries
- Acids
- Starches
- Paper Stock
- Concrete

CS3795 CONVERTER FEATURES

- Power 10-30VDC (1W)
- Interface: 5 Pin connector with plug or cable.
- One input/Output pulse/alarm
- Eeprom program storage
- 4-20mA Output (opt)
- Additional digital output (opt)
- Rugged 304 stainless steel enclosure
- Programmed via laptop

CS3795 SENSOR FEATURES

- Accuracy to $\pm 2\%$ of rate from 1 to 33 ft/sec.
- Three sizes for up to 80" Pipe Diameters
- Standard pressure: 235 PSI
- Installs through standard 1" NPT connection
- Can be removed and reinstalled in non-pressurized lines
- Volumetric flow rate measurement independent of fluid viscosity, density and temperature
- No moving parts for zero maintenance
- Bi-directional flow measurement
- Every sensor is factory wet-calibrated



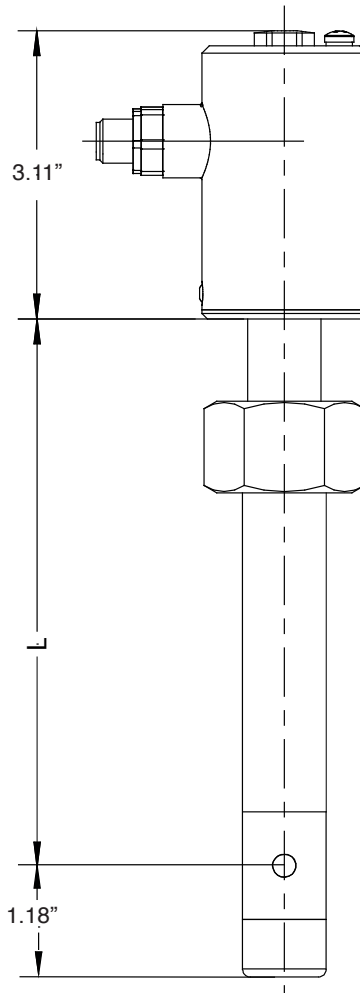
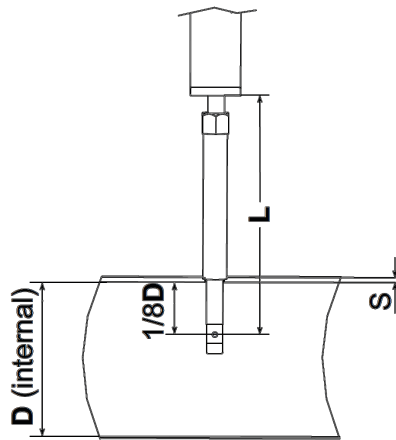
CS3795 sensor installation

FLOMOTION CS3795 ENGINEERING SPECIFICATIONS

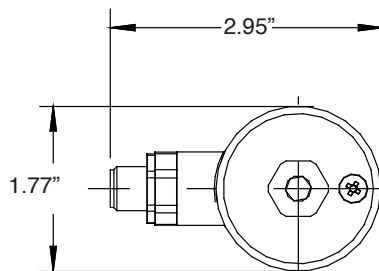
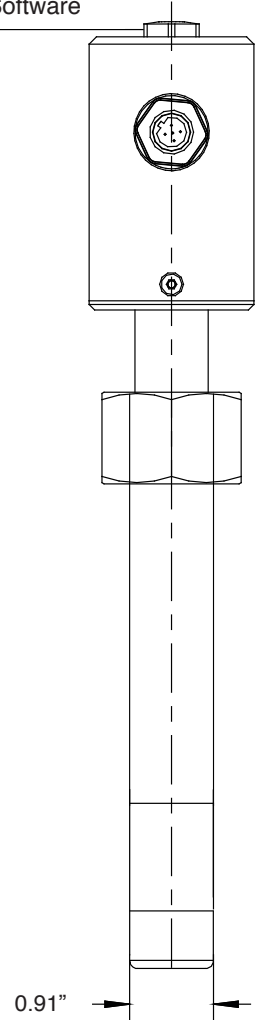
- Accuracy: 2.0%
- Repeatability: $\pm 0.5\%$
- Temperature (Process): 14 to 212°F
- Pressure: 232 PSI
- Environmental Rating: NEMA 6 (IP67)
- Fluid Conductivity: 20 $\mu\text{S}/\text{cm}$ (min)
- Sensor material: PEEK / FPM Electrodes in SS.
- Process Connection: 1" threaded end

AVAILABLE SIZES AND DIMENSIONS

Size	PIPE ID RANGE	L
Size 1	3 to 20"	6.9"
Size 2	3 to 40"	9.6"
Size 3	3 to 80"	18.2"



USB - PC Plug
for MCP Software



FLOMOTION SYSTEMS Inc.

3 North Main St.
Middleport, NY 14105
Tel: 716-691-3941
Fax: 716-691-1253
Email: info@flomotionsystems.com
www.flomotionsystems.com

