

CS3900

ISOMAG



FLOMOTION
SYSTEMS

BLIND INSERTION ELECTROMAGNETIC FLOWMETERS

Combines reliable full-pipe flow measurement with low-cost, compact size and ease of installation.



CS3900 Size 1/2", 3/4" and 1"



CS3900 Size 1", 1-1/4", 1-1/2" and 2"

CS3900 CONVERTER FEATURES

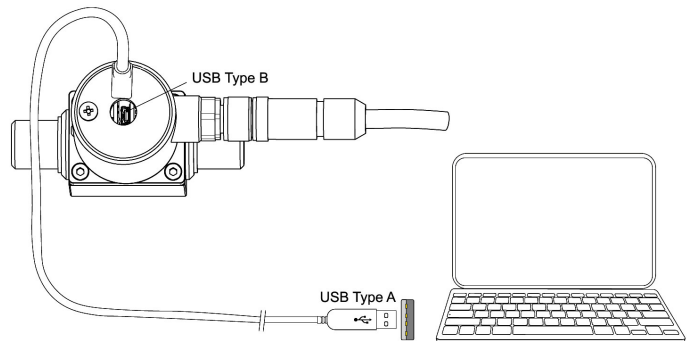
- Power 10-30VDC (1W)
- Interface: 5 Pin connector with plug
- Configuration via PC
- Eeprom program storage
- Pulse and Analog 4-20mA outputs (opt)
- Capability to measure the process temperature on analog output

CS3900 SENSOR FEATURES

- Compact flow meter with integrated sensor and converter.
- Sensor body in galvanized zinc steel, PTFE coated with SS electrodes.
- Available sizes DN10 – DN 15 and DN20
- Threaded process connections
- Suitable for flow control where flow might need to be controlled according to the temperature such as cooling systems on tooling machines, washing systems etc.

TYPICAL APPLICATIONS

- Water
- Polymers
- Lime Slurries
- Dyes
- Process Chemicals
- Brine
- Caustics
- Slurries
- Acids
- Starches



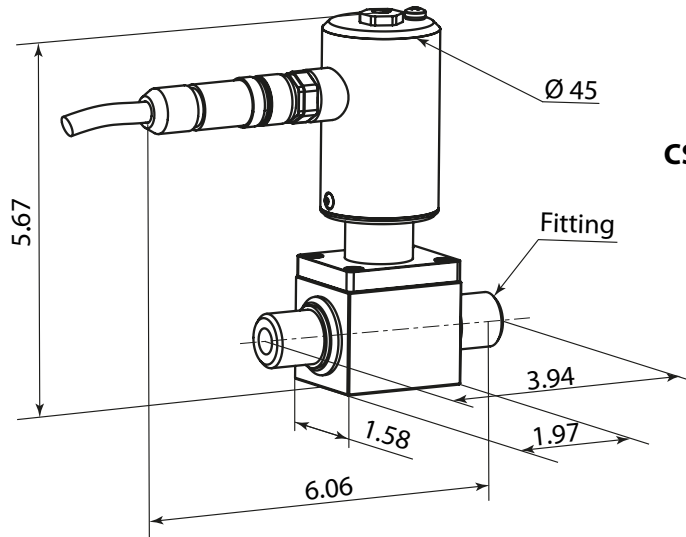
Programming via PC

ELECTROMAGNETIC FLOWMETER

FLOMOTION CS3900 ENGINEERING SPECIFICATIONS

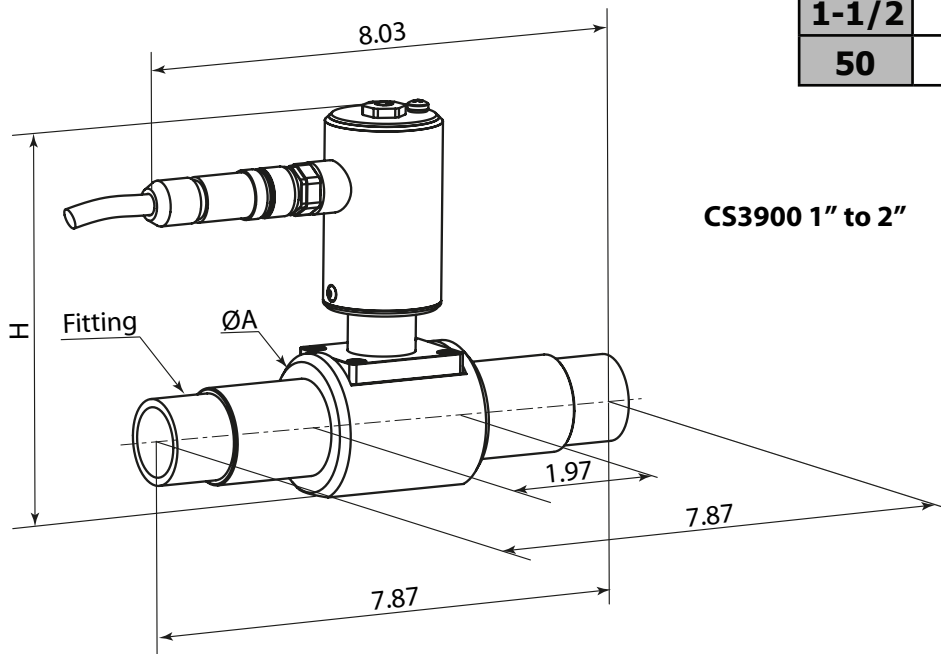
- Accuracy: +/- 1.0%
- Temperature (Liquid): 14 to 212°F
- Pressure: 235 PSI
- Environmental Rating: NEMA 6
- Fluid Conductivity: 50 $\mu\text{S}/\text{cm}$ (min)
- Lining Material: PTFE / FPM
- Process Connection: MNPT
- Electrodes: 316 SS

AVAILABLE SIZES AND DIMENSIONS



CS3900 1/2" to 3/4"

SIZE	FITTINGS	A	H
3/8	1/2"	---	---
1/2	3/4"	---	---
3/4	1"	---	---
1	1"	2.21	5.83
1-1/2	1"1/4	2.21	5.83
1-1/2	1"1/2	2.44	6.14
50	2"	2.44	6.46



CS3900 1" to 2"

DIMENSIONS IN INCHES

FLOMOTION SYSTEMS Inc.

3 North Main St.
 Middleport, NY 14105
 Tel: 716-691-3941
 Fax: 716-691-1253
 Email: info@flomotionsystems.com
www.flomotionsystems.com

