

FM8000 SERIES

ULTRASONIC OPEN CHANNEL FLOW METER



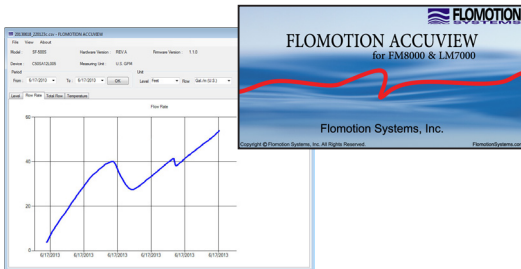
The Flomotion FM8000 provides accurate non-contact ultrasonic open channel flow measurement. Simple programming allows selection from a list of common built-in weir and flume tables.

In addition, head vs. flow data points may be input for almost any type of primary device. The bright, easy to read graphics display and built-in keypad allow for fast, simple programming and operational indication.

Adjustable damping, transducer transmit power, and low flow cutout provide flexibility in difficult monitoring applications.

FM8000 FEATURES

- Simple menu driven programming
- Large, backlit, LCD graphics display
- Integral 6-position keypad
- 4-20mA and relay outputs
- Built-in weir and flume tables
- Full diagnostics
- Submersible sensor with temperature compensation
- Datalogging and data analysis using Flomotion Accuview software.



Flomotion Accuview
Software for Data Analysis



Large Flow Rate Display



Detail Display



Echo Diagnostics Display

OPEN CHANNEL FLOW

FLOMOTION FM8000 ENGINEERING SPECIFICATIONS

FM8000 CONTROLLER

Measurement Method	Ultrasonic non-contacting
Accuracy	0.2% of F.S.
Resolution	0.04 in (1 mm)
Data Logging Period	672 days (max. @ 1hr interval)
Output	Analog: 2 x 4-20ma, max 750 ohm Relay: 3, Form C, 8A at 250Vac Temperature Sensor Temperature Digital: RS232, RS485, Modbus
Display	Backlit LCD Graphics Display
NEMA Rating	NEMA 4X
Temperature	-4°F to 140°F (-20°C to 60°C)
Material	Polycarbonate
Dimensions	6.5w x 9.8h x 3.7d in. (166w x 250h x 95d mm)
Weight	4.4lb (2kg)
Power Supply	100-230VAC 50/60HZ, 35VA (17W) Fuse 250V T1.0A 9-30VDC, max 8W

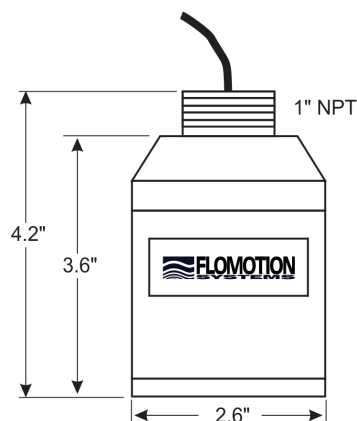
FM8000 S120 SENSOR

Range	12 ft (4 m)
Beam Angle	8° at -3dB
Process Connection	1" NPT
Weight	2.2 lbs (1.0 kg)
Material	PVDF
Temperature	-22°F to 158°F (-30°C to 70°C) 80% RH Temperature compensated by built in sensor
Nema Rating	NEMA 6P
Cable	2 Core Shield (AWG18) up to 1,476 ft

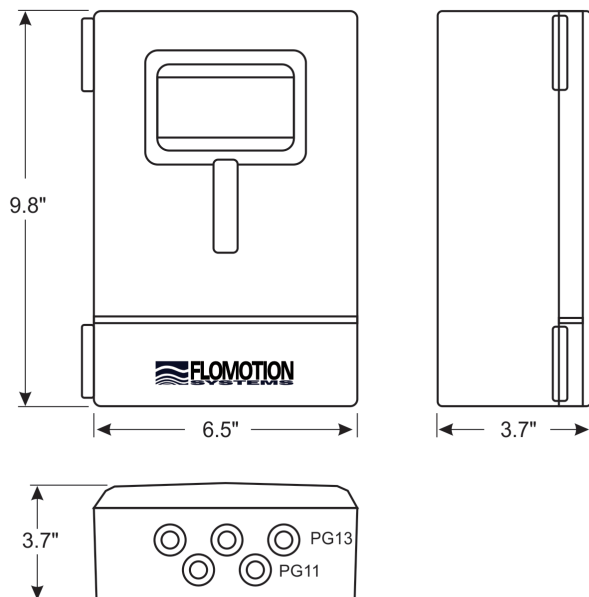
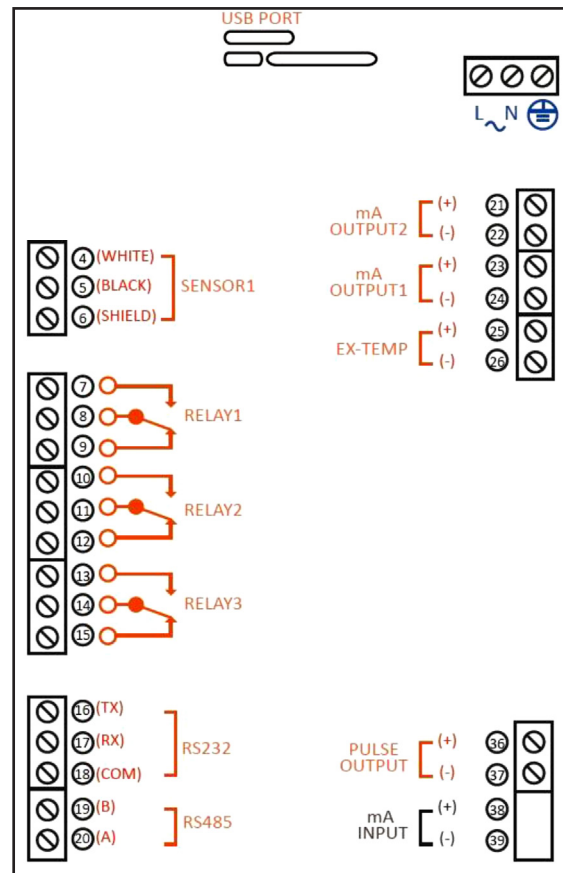
EXTERNAL TEMPERATURE SENSOR

Type	NTC, 10KΩ
Temperature	-22°F to 158°F (-30°C to 70°C)
Process Connection	1/8" PT
NEMA Rating	NEMA 6P
Cable	RG174

Specifications subject to change without prior notice.



FM8000 TERMINAL BLOCK



FLOMOTION SYSTEMS Inc.

3 North Main St.
Middleport, NY 14105
Tel: 716-691-3941
Fax: 716-691-1253
Email: info@FlomotionSystems.com
www.FlomotionSystems.com

