

# FS40 Series

## INDUSTRIAL HOSE PUMPS

Designed to meet the demanding requirements of chemical injection, dispensing and transfer applications.



The FS40 Series peristaltic pump is a two-shoe design, 180° apart on a rotating wheel, successively compressing a reinforced rubber hose. The motion of the shoes compresses the rubber against the pump housing creating continuous suction at the inlet of the pump and pushing the fluid to the outlet of the pump.

The sealed pump casing contains a lubricant that reduces friction of the shoes moving over the rubber hose. The pumped fluid is in contact only with the interior of the rubber hose, thus permitting the pumping of a wide variety of reactive fluids.

**PERISTALTIC HOSE PUMPS**

### **SAFETY FIRST - Sealed Pumphead Design - Hose Rupture Detector**

An optional hose rupture detector will automatically shut down the pump and signal an alarm in the event of a hose leak.

Together, the unique sealed pump design and the Hose Rupture Detector help to protect operators and other equipment from potentially dangerous fumes and chemicals.

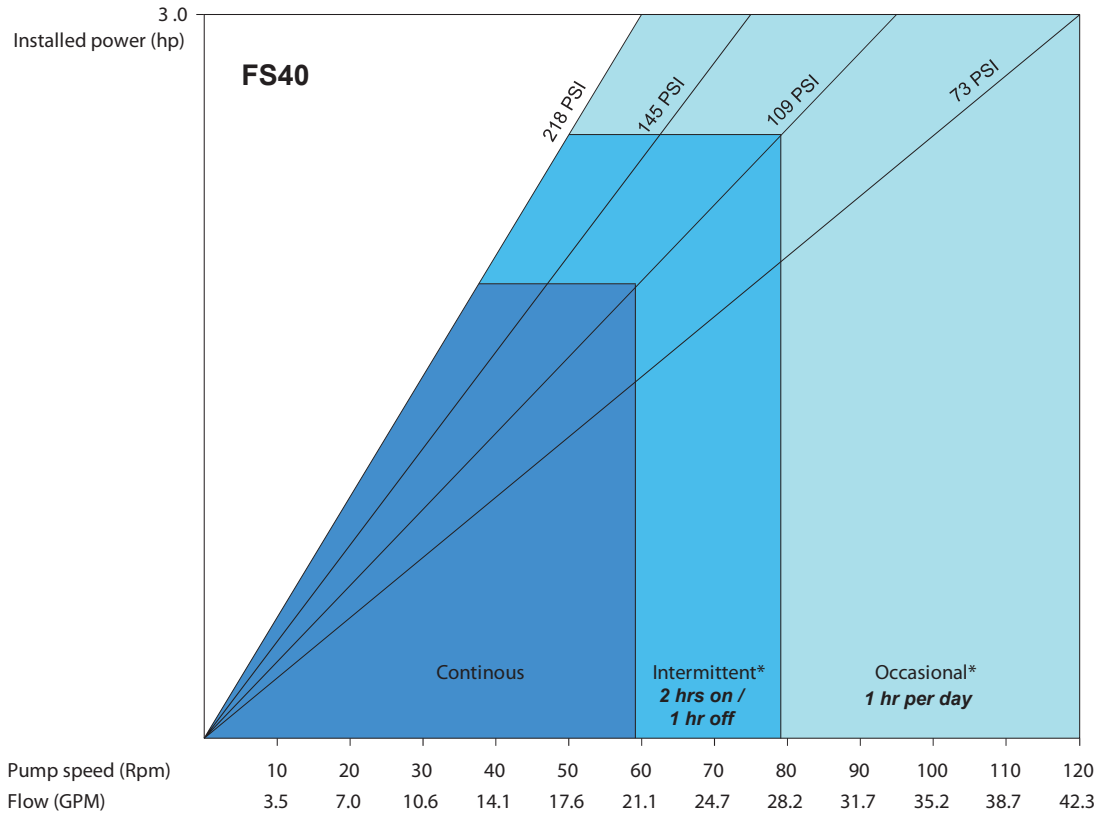


## FS40 FEATURES

- Flows to 42 GPM, Pressures to 218 psi.
- Viscosities to 100,000 cps
- Seal-less pumping technology
- Self-priming suction lifts to 30ft vertical
- Glycerine filled pumphead for extended hose life
- Flanged connections with PP, PVDF or 316SS Inserts
- No check valves - few moving parts
- Dry running without damage

# FLOMOTION FS40 SERIES ENGINEERING SPECIFICATIONS

## FLOMOTION FS40 SERIES PUMP PERFORMANCE



## FS40 SPECIFICATIONS AND DIMENSIONS

in [mm]

### GEARMOTOR

3HP, 230 VAC, 3-PH, TEFC,  
INVERTER DUTY WITH  
CORROSION RESISTANT  
EPOXY COATED FINISH

### PUMPHHEAD

DUCTILE IRON AND PAINTED  
WITH INDUSTRIAL GRADE  
CORROSION RESISTANT PAINT

### PUMP ROTOR

ASTM CLASS 45B CAST IRON WITH  
TWO INTEGRALLY MOUNTED SHOES  
WITH SHIMS LOCATED 180° APART

### PROCESS CONNECTIONS

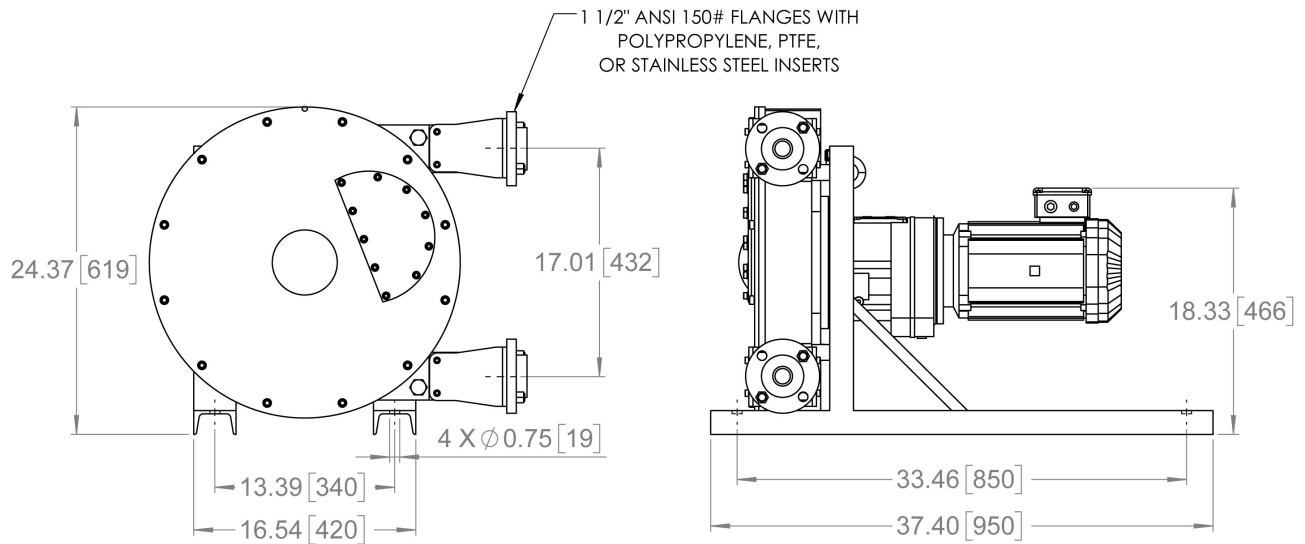
1 1/2" ANSI 150# FLANGES  
316 STAINLESS STEEL

### PROCESS CONNECTION INSERTS

POLYPROPYLENE  
PTFE  
316 STAINLESS STEEL

### HOSE MATERIAL

NATURAL RUBBER  
EPDM  
BUNA-N  
HYPALON  
VITON



### FLOMOTION SYSTEMS Inc.

3 North Main St.  
Middleport, NY 14105

Tel: 716-691-3941

Email: [info@flomotionsystems.com](mailto:info@flomotionsystems.com)

[www.flomotionsystems.com](http://www.flomotionsystems.com)

