

# LM7000 SERIES

## ULTRASONIC LEVEL MONITOR



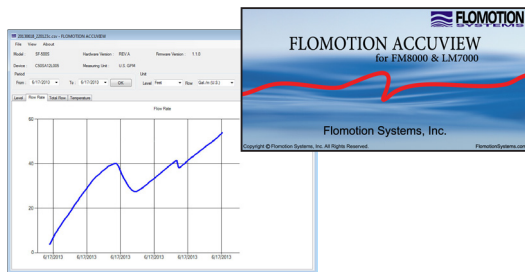
The FLOMOTION LM7000 provides non-contacting level measurement for a wide variety of applications in both liquids and solids. The system is composed of an ultrasonic sensor and a remote mounted controller for maximum flexibility.

Easy calibration and maintenance-free performance means you can install the LM7000 rapidly and with confidence.

The FLOMOTION LM7000 is ideally suited for a wide range of measurement applications such as wastewater pump stations, wet wells, ponds/reservoirs and chemical storage tanks.

### LM7000 FEATURES

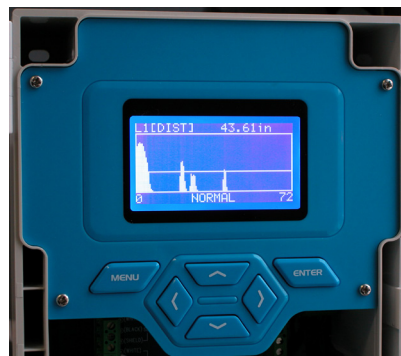
- Measurement range:
  - 33 ft (S330 sensor)
  - 50 ft (S500 sensor)
- Programmable 4-20mA analog output
- Menu driven programming
- 3 or 6 SPDT relays for alarms and external control
- Sensor is weather resistant and safe against submersion (NEMA 6P)
- Automatic temperature compensation
- Datalogging and data analysis using Flomotion Accuviev software.



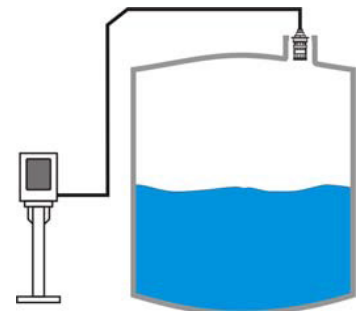
Flomotion Accuviev  
Software for Data Analysis



Easy to read LCD Graphics Display



Graphical Diagnostic Screen



Typical Installation

**ULTRASONIC LEVEL**

# FLOMOTION LM7000 ENGINEERING SPECIFICATIONS

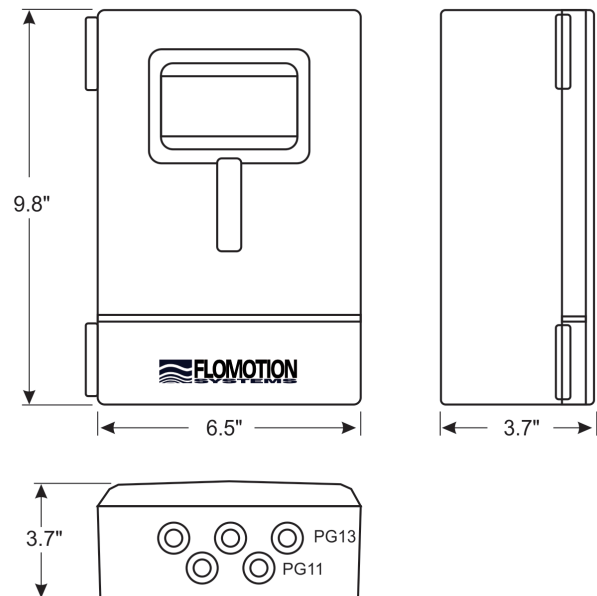
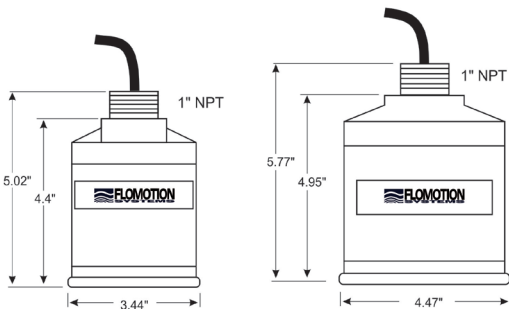
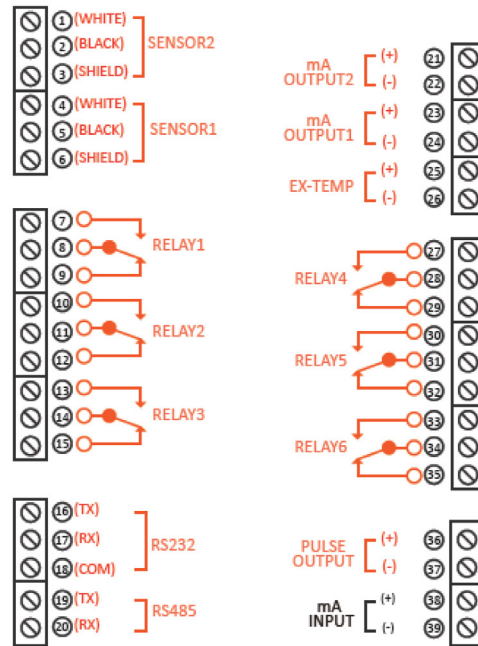
## LM7000 CONTROLLER

Measurement Method	Ultrasonic non-contacting
Measurement	Level, Distance, Space, Volume
Accuracy	0.2% of F.S.
Resolution	0.04 in (1 mm)
Output	Analog: 4-20ma, max 750 ohm Relay: 3 (6 opt.), SPDT, 8 A at 250 VAC or 30VDC Digital: RS232, RS485, Modbus
Display	Backlit LCD Graphics Display
NEMA Rating	NEMA 4X
Temperature	-4°F to 140°F (-20°C to 60°C)
Material	Polycarbonate
Dimensions	6.5w x 9.8h x 3.7d in. (166w x 250h x 95d mm)
Weight	4.4lb (2kg)
Power Supply	100-230VAC 50/60HZ, 35VA (17W) Fuse 250V T1.0A 9-30VDC, max 8W

## LM7000 SENSORS

Range	33 ft (S330 sensor) 50 ft (S500 sensor)
Beam Angle	10° at -3dB
Process Connection	1" NPT
Weight	3.3 / 4.4 lbs (1.5 / 2.0 kg)
Material	PVDF
Temperature	-22°F to 158°F (-30°C to 70°C) Temperature compensated by built in sensor
Ratings	NEMA 6P, CE, UL, FCC
Cable	2 Core Shield (AWG18) up to 1,476 ft

Specifications subject to change without prior notice.



## FLOMOTION SYSTEMS Inc.

3 North Main St.  
Middleport, NY 14105  
Tel: 716-691-3941  
Fax: 716-691-1253  
Email: info@flomotionsystems.com  
www.flomotionsystems.com

