

# LT260 SERIES

## ULTRASONIC LOOP POWERED LEVEL TRANSMITTER



The LT260 Series is designed to measure liquid level in a wide variety of applications.

The compact, loop-powered LT260 provides continuous, non-contacting level measurement. With a measuring range of 26ft (8m) the LT260 will accommodate a wide range of applications.

The large LCD display, 4 status lights and 5 button keypad make setup and operation quick and easy.

### LT260 FEATURES

- Accuracy of 0.2% with 1mm resolution
- Easy to install 3" NPT or 2-1/2" flange fitting
- Loop powered 4-20mA (max 550  $\Omega$  @24VDC)
- 5 digit numeric LCD display
- Integral 5 button keypad
- 4 status lights
- Built-in temperature compensation sensor
- Rugged enclosure

### APPLICATIONS

- Bulk Chemical Storage
- Pump Stations
- Clarifiers
- Filtration Levels
- River Level Monitoring
- Trash Rack Level Monitoring
- Waste Sump
- Tanker Truck Filling
- Water Storage Towers
- Reactors

**ULTRASONIC LEVEL**

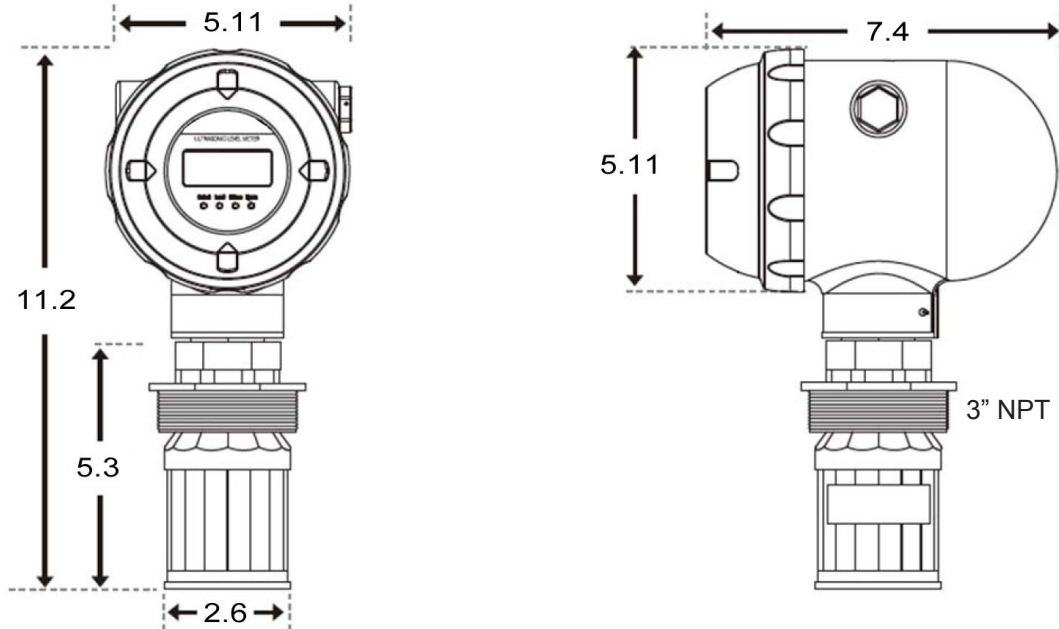


# FLOMOTION LT260 ENGINEERING SPECIFICATIONS

## TECHNICAL SPECIFICATIONS

Dimensions	7.4 x 11.2 in. (187 x 284.5 mm)
Process Connection	3" NPT (or optional 2-1/2" Flange)
Housing Material	Aluminum Alloy
Sensor Material	PVDF
Weight	6.2 lbs (2.8 Kg)
NEMA Rating	NEMA 6
Temperature	-4°F to 158°F (-20°C to 70°C)
Measurement Range	26ft (8m)
Deadband	0.98 ft
Accuracy	0.2% of F.S.
Display Resolution	0.04 in (1mm)
Beam Angle	8° at -3dB
Damping Rate	Adjustable
Temperature Compensation	Built-in
Analog Output	4-20mA, 550 Ω at 24VDC
Display	5 Digit Numeric LCD
Power Supply	20 to 30VDC
Supply Current	0.022A max
Cerification	CE

Specifications subject to change without prior notice.



### FLOMOTION SYSTEMS Inc.

3 North Main St.  
Middleport, NY 14105  
Tel: 716-691-3941  
Fax: 716-691-1253  
Email: [info@flomotionsystems.com](mailto:info@flomotionsystems.com)  
[www.flomotionsystems.com](http://www.flomotionsystems.com)

