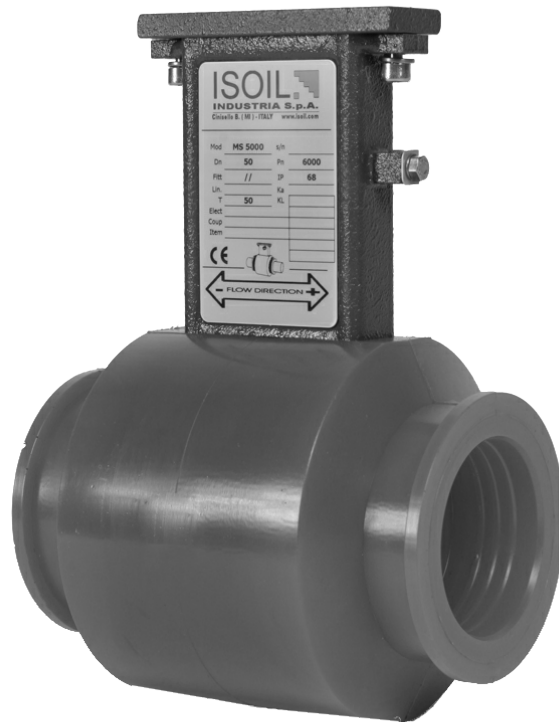


ISOMAG

The friendly magmeter

MANUAL

MS5000



CE

ISOIL 
INDUSTRIA



INDEX

INTRODUCTION	2
START UP AND MAINTENANCE OF THE INSTRUMENTS	2
ASSEMBLY INSTRUCTIONS	3
OPERATING TEMPERATURE	5
ELECTRICAL CONNECTIONS OF SENSOR TO CONVERTER	6



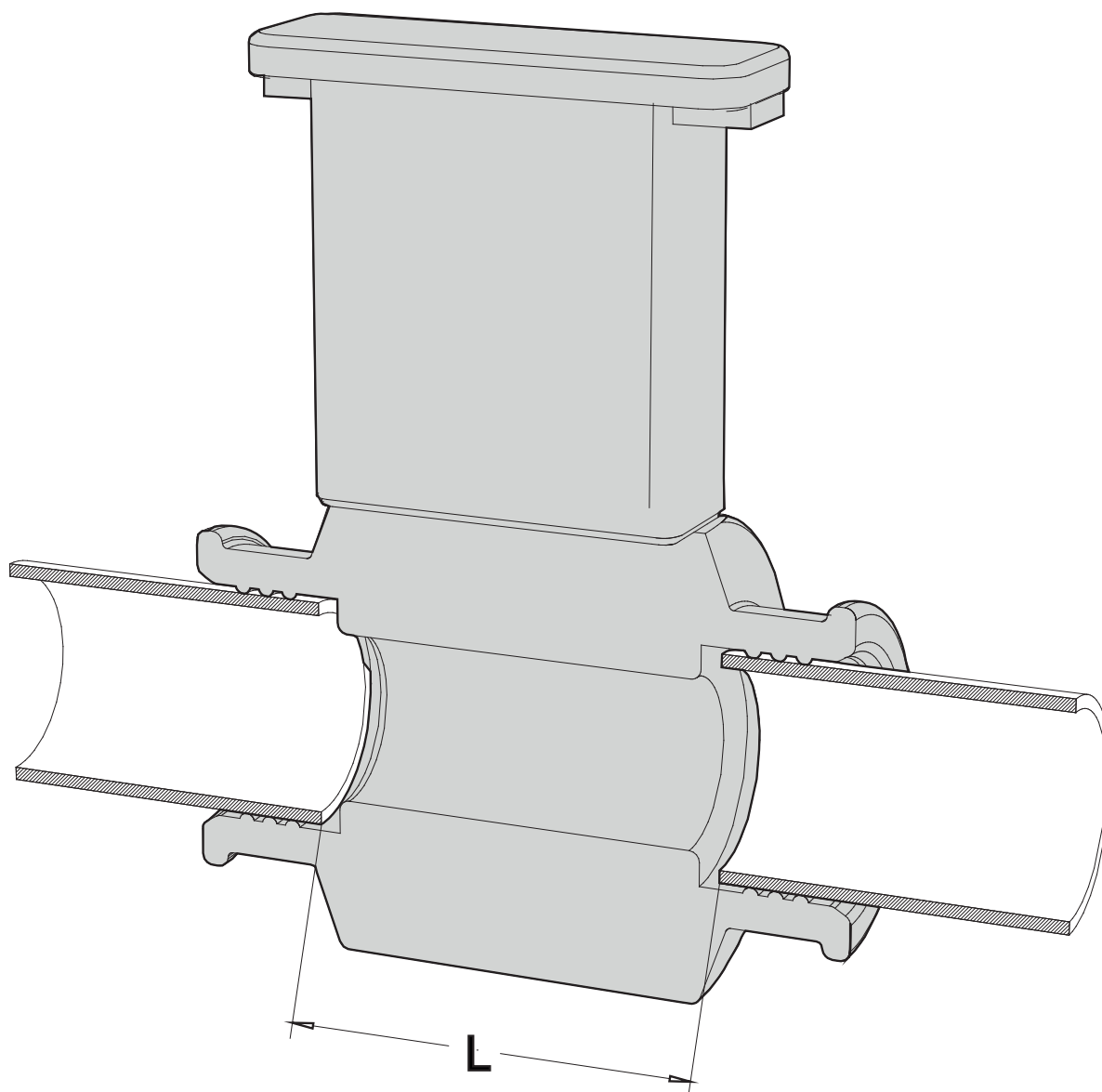
INTRODUCTION

- ❑ This manual is integral part of the product. Read carefully the instructions contained since it contains important indications for the safety of use and of maintenance.
- ❑ The technical information and the relative products of this manual could be modified without any previous notice.
- ❑ The flow meter must be used for the use it has been built for. The improper use, possible tampering of the instrument or parts of it and substitutions of any components not original, makes the warranty to decay automatically.
- ❑ The manufacturer is considered responsible only if the instrument is used in its original configuration and setting.
- ❑ The flowmeter makes measures of liquids with conductivity greater than $5\mu\text{S}/\text{cm}$; it consists of a sensor (described in this manual) and a converter, for it see the manual provided.
- ❑ If the sensor is supplied in compact version to the converter, consider the operating temperatures more restrictive, otherwise refer to the respective manuals (page 5).
- ❑ When transporting, unpacking and handling the flowmeter, be careful and care.
- ❑ In the case of prolonged storage and of transport, use and store in the original container in a dry place, do not place more than 3 packs one above the other. It is possible pallets storage and transport (in case of wooden crates do not place one above the other).
- ❑ For the cleaning of the device use only a damp cloth, and for the maintenance/repairs, contact the customer service.
- ❑ For the disposal of the device and of the packaging make strict reference to the regulations.
- ❑ It is forbidden the reproduction of the present manual and of possible software supplied with the instrument.

START UP AND MAINTENANCE OF THE INSTRUMENTS

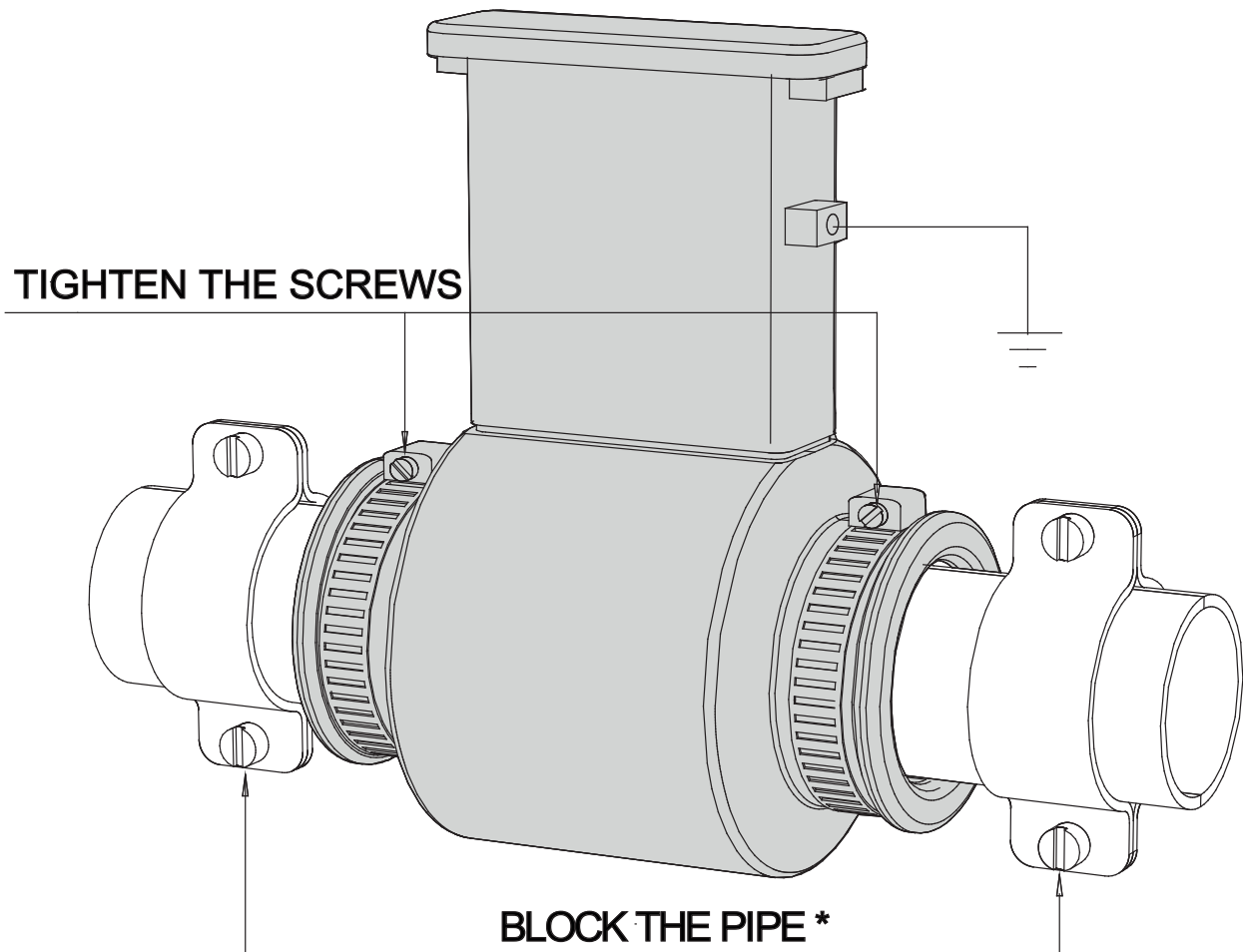
- ❑ Before starting up the instrument, always make a sure connection to ground.
- ❑ Verify periodically: the cables integrity, the tightening of the sealing elements (cable glands, covers, etc.), the mechanical fixing of the instrument on the pipe or on the wall stand.

ASSEMBLY INSTRUCTIONS



The manufacturer guarantees only English text available on our web site www.isomag.com

"L" VALUES		
DN	L (mm)	L (inches)
20	92	3.62
25	92	3.62
32	89	3.5
40	92	3.62
50	108	4.25
65	109	4.29
80	138	5.43



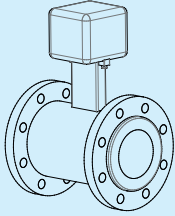
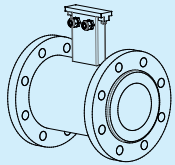
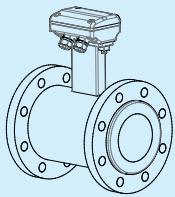
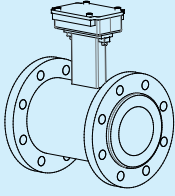
* Lock the pipe to a strong support

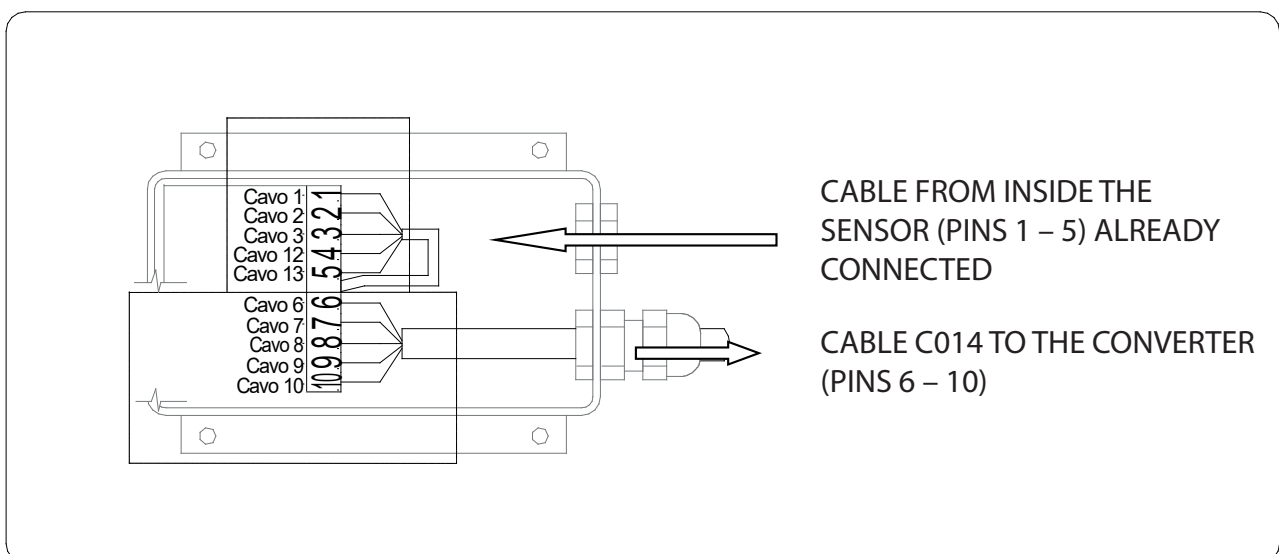
- Verify the flow direction
- Assemble the sensor to the pipe
- Tighten the wrapper to avoid possible drippings
- Connect the instrument to ground by the socket on sensor

OPERATING TEMPERATURE

	LIQUID TEMPERATURE		ENVIRONMENT TEMPERATURE	
	Min.	Max.	Min.	Max.
°C	0	50	0	50
°F	32	122	32	122

ELECTRICAL CONNECTIONS OF SENSOR TO CONVERTER (CONNECTIONS TO CONVERTER: SEE PROPER MANUAL)

	VERSION	SUITABLE FOR	SENSOR'S CONNECTION
	COMPACT	ALL SENSORS MODEL	NO CONNECTIONS
	SEPARATE WITHOUT JUNCTIONS-BOX	STAINLESS STEEL MODEL	NO CONNECTIONS REQUIRED (CABLE ALREADY CONNECTED AND POTTED)
	SEPARATE WITH OR WITHOUT JUNCTIONS-BOX	ALL CARBON STEEL MODELS	NO CONNECTIONS REQUIRED (CABLE ALREADY CONNECTED AND POTTED)
	SEPARATE WITH PREAMPLIFIER	ALL SENSORS MODEL	SEE BELOW



MANUAL REVISION

REVISION	DATE	DESCRIPTION
MAN_MS5000_IT_EN_IS_R03	21/05/2021	GRAPHICS UPDATE AND NOMENCLATURE UPDATE

At the end of its lifetime, this product shall be disposed of in full compliance with the environmental regulations of the state in which it is located.

The manufacturer guarantees only English text available on our web site www.isoil.com

ISOIL INDUSTRIA S.p.A.

HEAD OFFICE	SERVICE
Via Fratelli Gracchi, 27 20092 Cinisello Balsamo (MI) Tel +39 02 66027.1 Fax +39 02 6123202 sales@isoil.it	isomagservice@isoil.it

If you want to find the complete list of our distributors access at the following link:

<http://www.isoil.it/en>



Due to the constant technical development and improvement of its products, the manufacturer reserves the right to make changes and/or modify the information contained in this document without notice.