

MV255

AC, DC or BATTERY OPERATED 3G WIRELESS CONVERTER FOR ISOMAG ELECTROMAGNETIC FLOW METERS

wireless communication – easy battery change – flow/level/pressure – encrypted data – 4-20 mA output

ISOMAG 

The new MV255 converter is designed for remote applications in water, wastewater and other industrial and municipal markets where measurement requirements or output protocols are required.

- Accuracy: $\pm 0.1\%$ of the reading
- Programmable through keypad on front panel or via PC connected through mini USB cable adapter
- Flexible mounting so that display can be seen from the top or from the front
- Galvanic separation: all inputs and outputs are separated from each other and from the power supply
- Housing material: Nylon reinforced with 15% fiberglass, or Aluminum
- Protection rating: NEMA 6P (IP 68)

Standard features:

- Compatible with any Isomag® flow sensor
- Bidirectional measurement
- Encrypted Datalogger with Real-Time Clock (4GB)
- Low flow rate cut-off
- Peak cut-off
- Empty pipe detection
- Alarm limits
- Large back-lit LCD display with protective cover

Available accessories:

- AC, DC or Solar Power
- Choice of battery type (Lithium, Alkaline, NiMh)
- 3G Cellular Communications
- Internal rechargeable battery for direct connection to solar panel
- Built-in Diagnostics (BIV) for verifying electrical characteristics of the sensor & converter
- Pressure and Temperature measurement

Available communications

- 3G Cellular
- 4-20mA output
- Digital Outputs (2 or 4)
- Digital Inputs (1 or 3)



MV255 converter with graphics display and flip-up protective cover mounted on an MS2500 flow sensor.

ELECTROMAGNETIC FLOWMETER

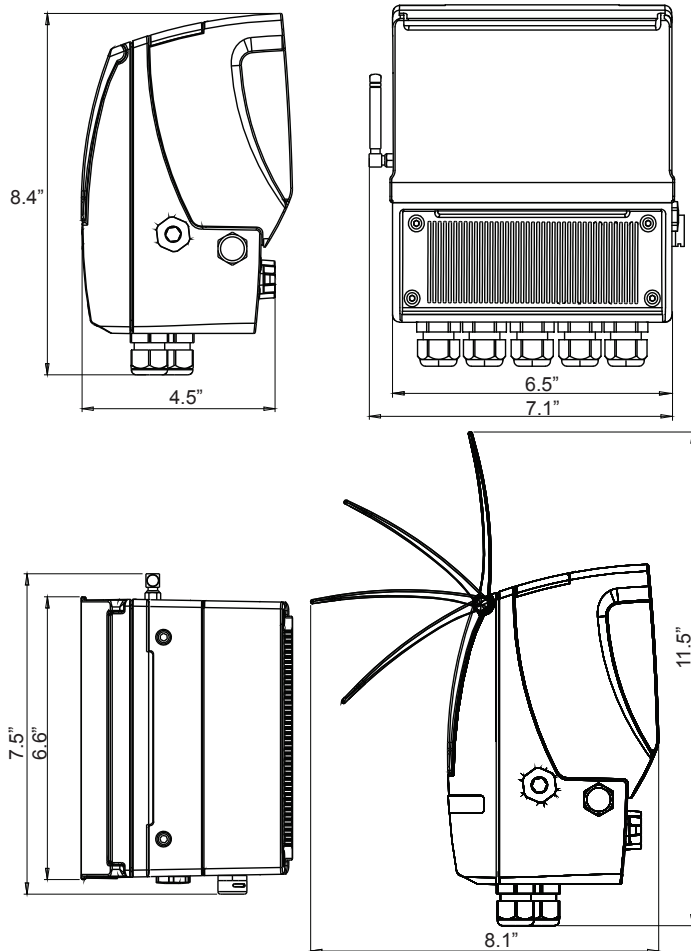


FLOMOTION MV255 ENGINEERING SPECIFICATIONS

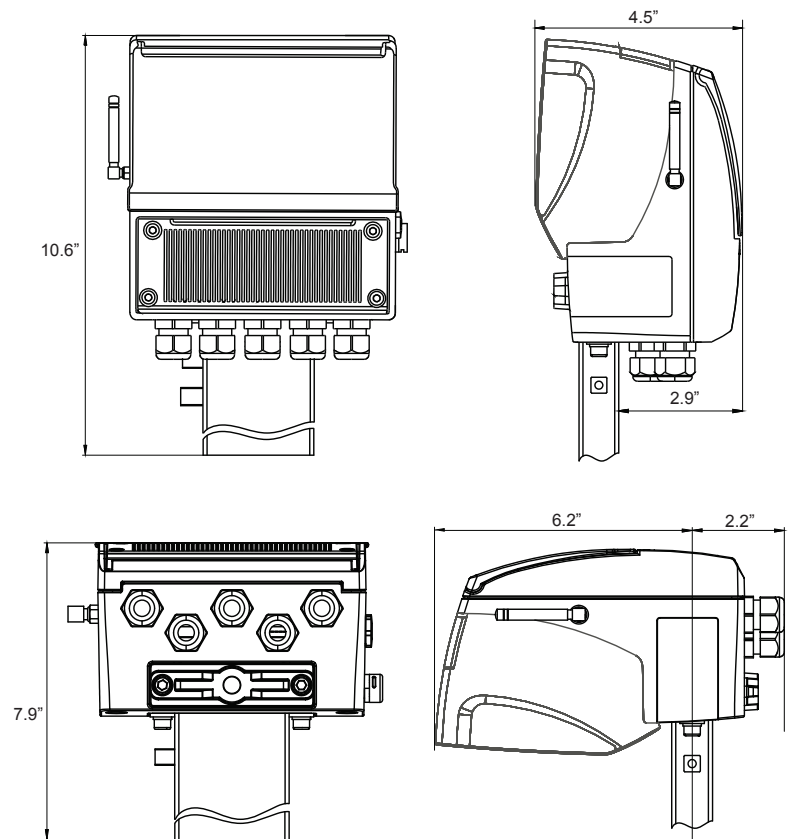
- Accuracy to $\pm 0.1\%$ of rate
- 4-20mA or Frequency Output Accuracy $\pm 0.2\%$
- Ambient Temperature
 - 4 to 140°F (Aluminum Housing)
 - 4 to 104°F (Nylon Housing)
- Humidity Range: 0-100%
- Environmental Rating: NEMA 6p / IP68
- Fluid Conductivity: 20 μS (min, compact mount)
- Power Supply Options: 12-48VDC or 100-240 VAC. 44-66Hz 1.5w sensor only, 4w all loads., Battery: 40mw sensor only, 200mW all loads
- 3G Cellular Communications
- Alkaline, Lithium or NiMh battery options
- 4-20mA output maximum load: 1000 Ω
- Inputs/outputs are galvanically isolated from power supply up to 500 V
- USB MINI B cable required for PC programming
- Values stored in memory in case of power failure
- Graphic display 128x64 pixels w/back light (Main power version only)
- 3 external programming keys
- Digital Outputs, Max 32 Hz, 100mA, 30 V (AC/DC)
- MicroSD Memory Card 4 - 32 GBytes
- Cable glands - PG11

DIMENSIONS with Battery Pack

Remote Version



Compact Version



FLOMOTION SYSTEMS Inc.

3 North Main St.
Middleport, NY 14105
Tel: 716-691-3941

Email: info@flomotionsystems.com
www.flomotionsystems.com

