

PROVU Series

Dual-Line 6-Digit Flow Rate/Totalizers

Perfect for Flow Applications.

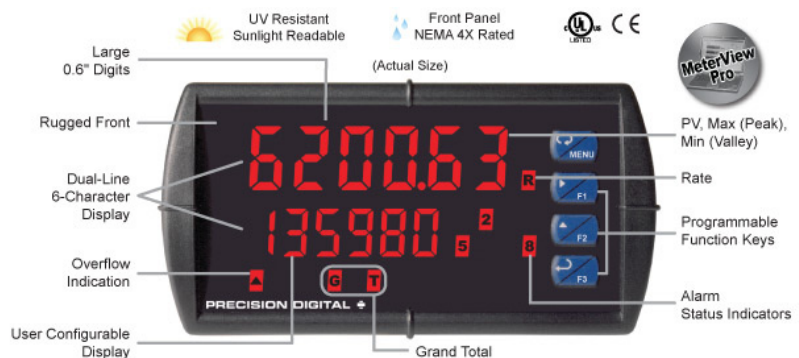


The PD6200 and PD6300 PROVU® meters are 1/8 DIN flow rate/ totalizers specifically designed for displaying flow rate and total from flowmeters with analog or pulse outputs.

These flow rate/totalizers are particularly well-suited for flow applications because they can display flow rate and flow total at the same time, provide power to drive the flowmeter, and display flow total, flow grand total, or non-resettable flow total on up to nine digits.

Display Flow Rate, Total or Grand Total

The upper display can be programmed to display flow rate, total, or grand total, and the lower display can be programmed to display flow rate, total, grand total, engineering units, custom legends, or can be turned off. Both displays could also display relay set points, or max and min values.



PROVU SERIES FEATURES

Common PROVU® METER Features

- NEMA 4X, IP65 Front
- Universal 85-265 VAC or 12/24 VDC Input Power
- Dual-Line 6-Digit Display, 0.60" & 0.46"
- Programmable Displays & Function Keys
- Sunlight Readable Display Models
- 2 or 4 Relays + Isolated 4-20 mA Output Options
- External 4-Relay & Digital I/O Expansion Modules
- USB, RS-232, & RS-485 Serial Communications
- On-Board Digital Input
- Modbus® RTU

Common Rate/Totalizer Features

- Display Rate & Total at the Same Time
- Rate in Units per Second, Minute, Hour, or Day
- Total, Grand Total or Non-Resettable Grand Total
- Password Protection for Total Reset
- 9-Digit Totalizer with Total Overflow Feature
- Total Stored in Non-Volatile Memory
- Any Relay for Rate or Total
- 4-20 mA Output for Rate or Total
- Sampling Relay

INSTRUMENTATION



FLOMOTION PROVU™ SERIES

SPECIFICATIONS

Display: Upper display: 0.60" (15 mm) high. Lower display: 0.46" (12 mm) high. Both are 6 digits (-99999 to 999999)

Front Panel: NEMA 4X, IP65

Power Options: 85-265 VAC 50/60 Hz, 90-265 VDC 20 W max, or jumper selectable 12/24 VDC ±10%, 15 W max.

Environmental: PROVU Series (PD6200/PD6300):

- Operating temperature range: -40 to 65°C
- Storage temperature range: -40 to 85°C
- Relative humidity: 0 to 90% non-condensing

Dimensions: 4.68" x 2.45" x 5.64" (W x H x D)

Weight: 9.5 oz (269 g)

PD6200 Analog Inputs

- 0-20 mA, 4-20 mA, 0-5 V, 1-5 V, and ±10 V Inputs
- Isolated 24 VDC @ 200 mA Transmitter Power Supply
- Open Channel Flow with Programmable Exponent
- Square Root Extraction
- 32-Point Linearization

PD6300 Pulse Inputs

- Pulse, Open Collector, NPN, PNP, TTL, Switch Contact, sine Wave (Coil), Square Wave Inputs
- 5, 10 or 24 VDC Flowmeter Power Supply
- Gate Function for Rate Display of Slow Pulse Rates
- K-Factor, Internal Scaling, or External Calibration
- 4-20 mA Output Option Converts the Pulse Input to an Isolated 4-20 mA Output



Flow Rate Indicator



Flow Totalizer

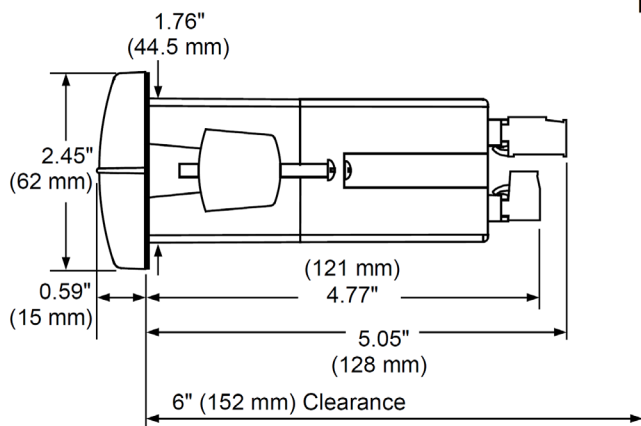


Rate & Total

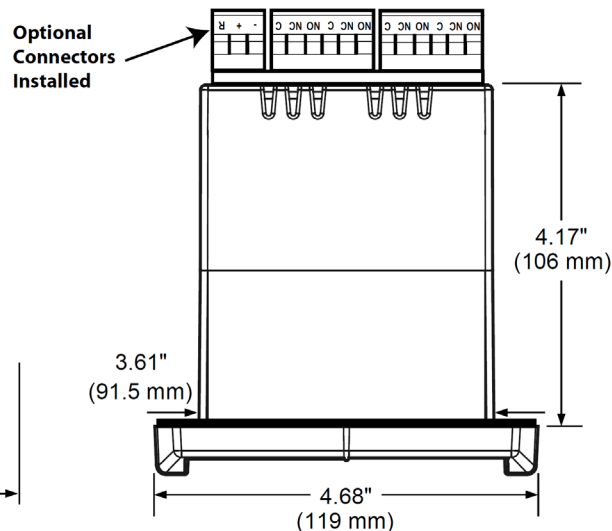


Total & Grand Total

DIMENSIONS



Side View



Top View

Notes:

1. Panel cutout required: 1.772" x 3.622" (45mm x 92mm)
2. Panel thickness: 0.040 - 0.250" (1.0mm - 6.4mm)
3. Mounting brackets lock in place for easy mounting
4. Clearance: Allow 6" (152 mm) behind the panel

FLOMOTION SYSTEMS Inc.

3 North Main St.
Middleport, NY 14105
Tel: 716-691-3941
Fax: 716-691-1253
Email: info@flomotionsystems.com
www.flomotionsystems.com

