

MS3780

ISOMAG 



FLOMOTION
SYSTEMS

INSERTION ELECTROMAGNETIC FLOWMETERS

Combines reliable full-pipe flow measurement with low-cost and ease of installation.

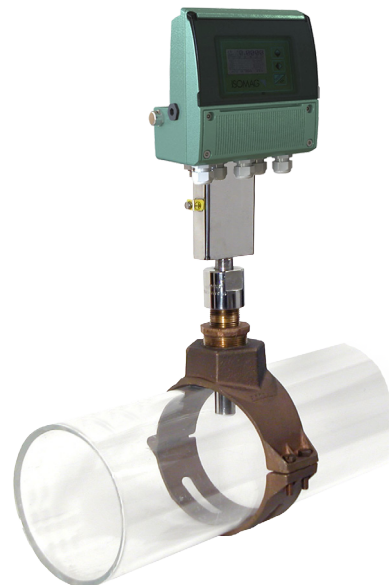


TYPICAL APPLICATIONS

- Water
- Polymers
- Wastewater
- Lime Slurries
- Dyes
- Process Chemicals
- Brine
- Caustics
- Slurries
- Acids
- Starches
- Paper Stock
- Concrete

MS3780 FEATURES

- Accuracy to $\pm 2.5\%$ of rate from 1 to 33 ft/sec.
- Three sizes for 3" to 80" Pipe Diameters
- Flow ranges from 25 to 500,000 GPM
- Standard pressure: 235 PSI (max 580 PSI, opt.)
- Installs through standard 1" NPT connection
- Can be removed and reinstalled in non-pressurized lines
- Volumetric flow rate measurement independent of fluid viscosity, density and temperature
- No moving parts for zero maintenance
- Bi-directional flow measurement
- Every sensor is factory wet-calibrated



MS3780 sensor installation with an MV110 Converter.

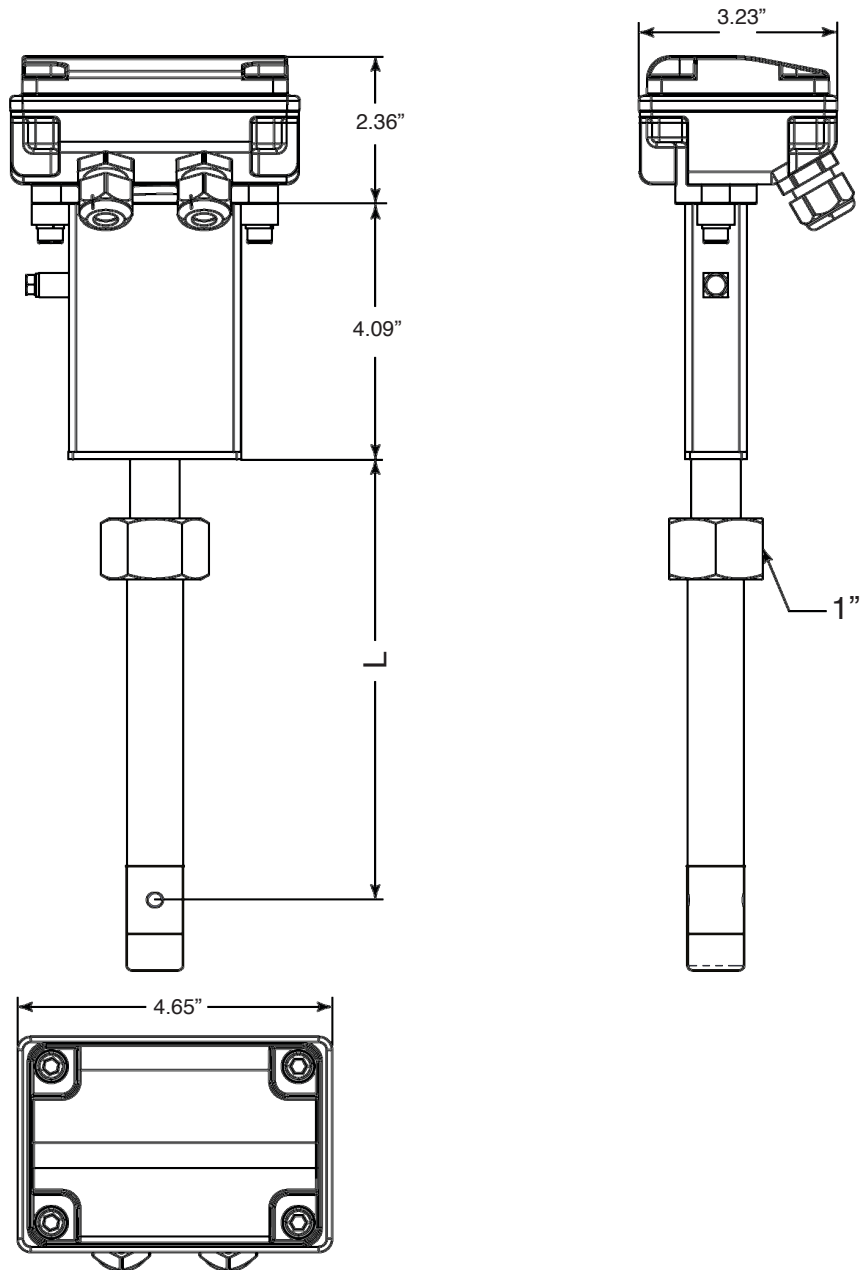
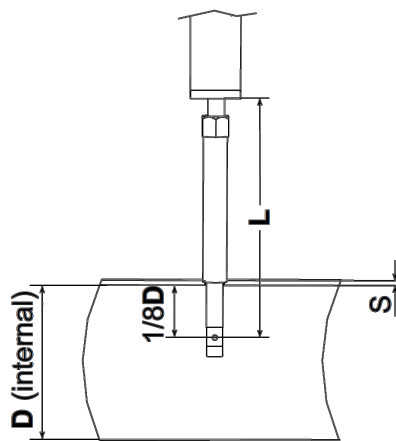
ELECTROMAGNETIC FLOWMETER

FLOMOTION MS3780 ENGINEERING SPECIFICATIONS

- Accuracy: See relevant converter data sheet
- Repeatability: $\pm 0.5\%$
- Temperature (Process)
 - 4 to 212°F (PTFE Compact)
 - 4 to 302°F (PTFE Remote)
- Pressure: 235 PSI (580 PSI rating is optional)
- Environmental Rating: NEMA 6
- Fluid Conductivity: $5 \mu\text{S/cm}$ (min)
- Process Connection: 1" threaded end
- Sensor material: AISI316, PEEK lining, electrodes in Hastelloy C276, FKM gasket and AISI304 neck

AVAILABLE SIZES AND DIMENSIONS

Size	PIPE ID RANGE	L
Size 1	3 to 20"	6.9"
Size 2	3 to 40"	9.6"
Size 3	3 to 80"	18.2"



FLOMOTION SYSTEMS Inc.

3 North Main St.
 Middleport, NY 14105
 Tel: 716-691-3941
 Fax: 716-691-1253
 Email: info@flomotionsystems.com
www.flomotionsystems.com

