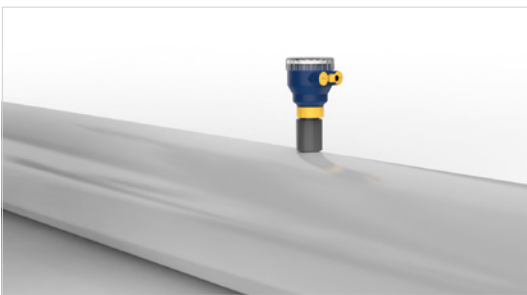
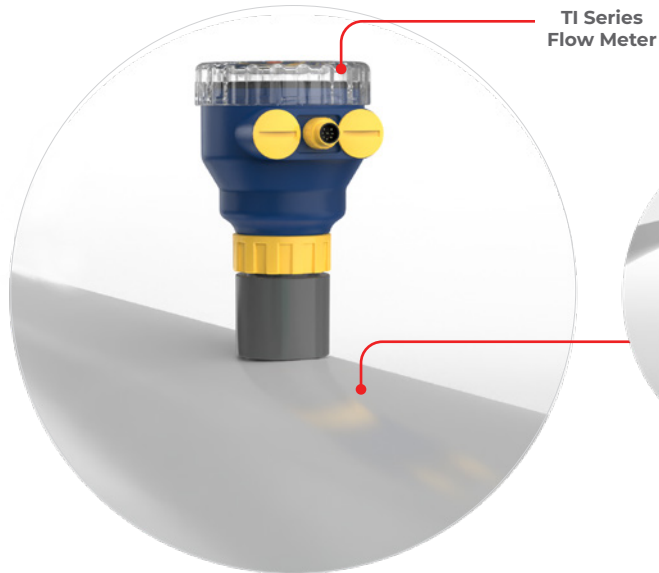


Seamless Integration for Reliable Flow Measurement

The Truflo PG Series Adapters are specialized components designed for use with flow meters, constructed from durable PVC material. These adapters play a crucial role in facilitating the seamless integration of flow meters into various piping systems. With sizes ranging from 2 inches to 24 inches, the PG Series adapters offer a versatile solution to accommodate a wide range of pipe diameters.

Features

- ✓ 2" - 24" Pipe Sizes
- ✓ Will Accept Signet® Type Flow Meter
- ✓ Easy to Install
- ✓ Excellent Chemical Resistance



TI Series Flow Meter with PG Series Adapter

Model Selection

Glue-On Adapter - CPVC	
Size	Part Number
2" - 4"	PG4
6" - 24"	PG24

