

Truflo® — PulsePro® PF Plastic Pulsation Dampener

- ✓ Up to 95% + Reduction in Pressure Spikes
- ✓ Corrosion Resistant Bodies – GFPP | PVDF
- ✓ Reduces Vibrations to Protect Instruments
- ✓ Perfectly Paired with Diaphragm Pumps



Featuring:

- ✓ Easy to Install
- ✓ Lightweight Design | Small Footprint
- ✓ PTFE Teflon® Diaphragm
- ✓ Suitable for Viscous Liquids
- ✓ Reduces Damaging Effects of Water Hammer
- ✓ Provides Constant Output Required for Flow Meters and Pressure Gauges
- ✓ NPT Connection

Equipment Protection that Can Handle the Pressure

The PulsePro® PF Series pulsation dampeners are designed to provide protection for process instrumentation, eliminate vibration and provide smooth continuous flow.

Truflo® PulsePro® PF Pulsation Dampeners are chargeable and can be adjusted to best suit the process requirements. The PF series can eliminate up to 95% of the pulse caused by positive displacement pumps.

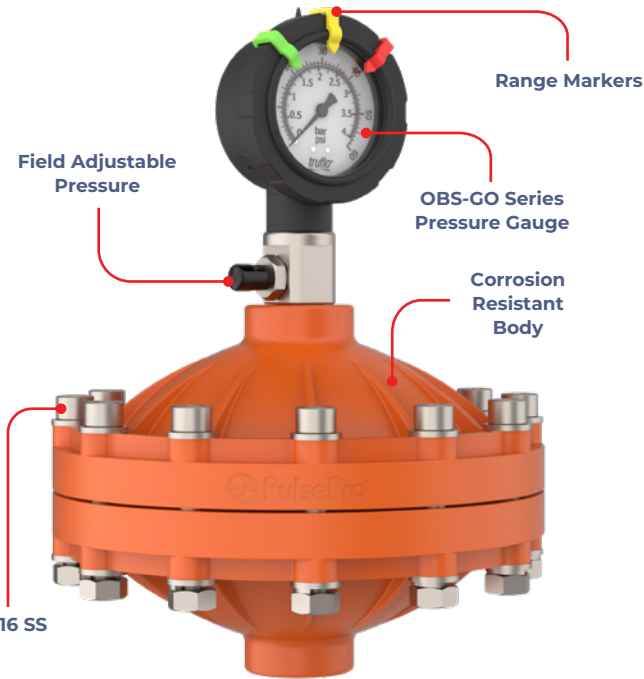
The PulsePro® PF Series pulsation dampeners consist of a flexible PTFE Diaphragm and an upper and lower chamber. The upper chamber is pressurized with air or nitrogen.

The PulsePro® PF Series operate on the principle that the volume of air in the upper chamber is inversely proportional to the kinetic pressure of the fluid being pumped.

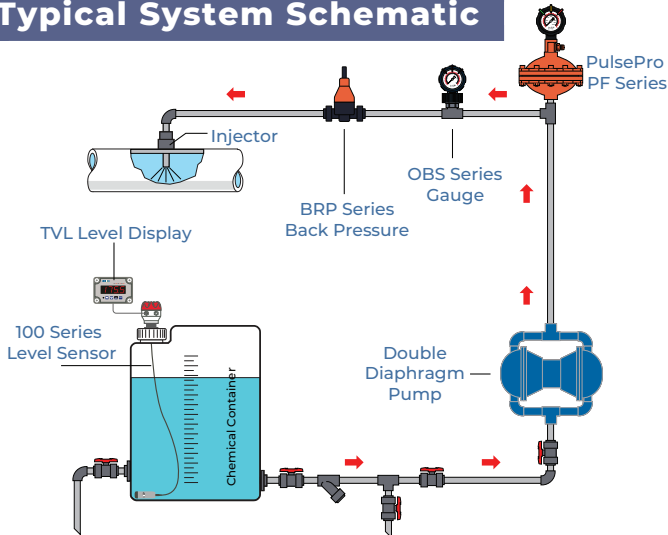
Model Selection

PulsePro® PF		
Size	Part Number	Material
½" (21 cu)	PPPF-050-P	GFPP
¾" (36 cu)	PPPF-075-P	GFPP
1" (61 cu)	PPPF-100-P	GFPP
1¼" (122 cu)	PPPF-125-P	GFPP
1½" (488 cu)	PPPF-150-P	GFPP
½" (21 cu)	PPPF-050-F	PVDF
¾" (36 cu)	PPPF-075-F	PVDF
1" (61 cu)	PPPF-100-F	PVDF
1¼" (122 cu)	PPPF-125-F	PVDF
1½" (488 cu)	PPPF-150-F	PVDF
½" (21 cu)	PPPF-050-S	316 SS
¾" (36 cu)	PPPF-075-S	316 SS
1" (61 cu)	PPPF-100-S	316 SS
1¼" (122 cu)	PPPF-125-S	316 SS
1½" (488 cu)	PPPF-150-S	316 SS

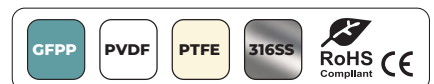
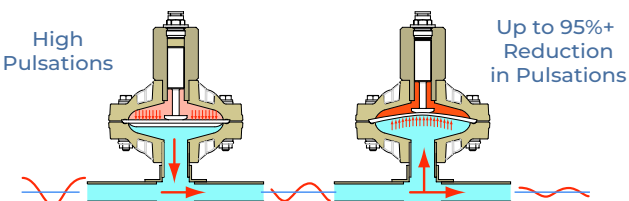
Includes Premium OBS-GO Series Gauge - Single Sided or Double Sided



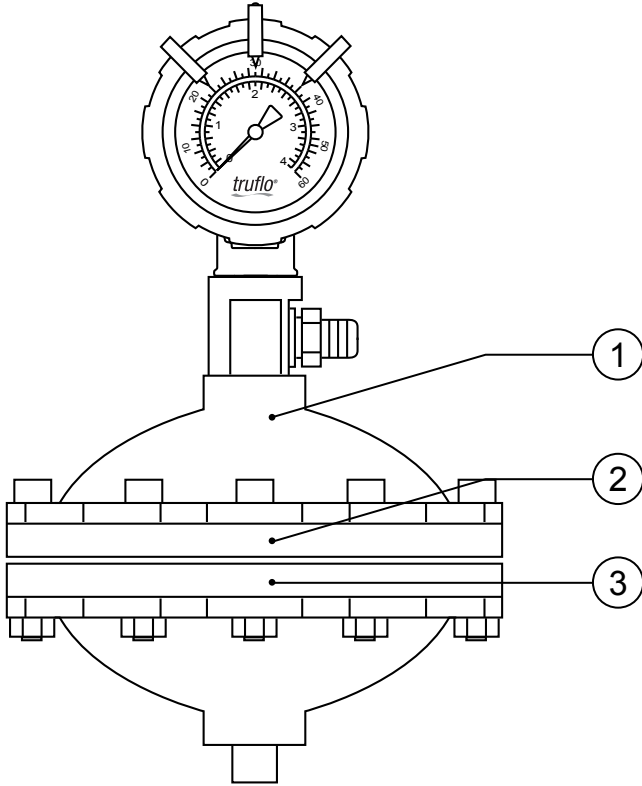
Typical System Schematic



Pulse | Surge Compressor



Truflo® — PulsePro® PF Plastic Pulsation Dampener



Parts

No.	Part	Pcs.	Material
1	Body	1	PP PVDF
2	Upper Chamber	1	PP PVDF
3	Diaphragm	1	FPM



OBS-GO Series
Pressure Gauge
(Single Sided)



OBS-GO Series
Pressure Gauge
(Double Sided)

Dimensions

Part No.	Size	G	H	D	MPa
PPPF-050	½" (21 cu)	0.35	235	142	1.6
PPPF-075	¾" (36 cu)	0.6	250	174	1.6
PPPF-100	1" (61 cu)	1.0	13100	210	1.6
PPPF-125	1¼" (122 cu)	2.0	330	280	1.6
PPPF-150	1½" (488 cu)	4.0	370	360	1.6

Maximum Pressure

Size: ½" - 1¼" 316 SS Maximum Pressure (Psi)			
20°C 68°F	40°C 104°F	60°C 140°F	80°C 176°F
235	235	235	235

