

ST Series Inline Tee Assemblies

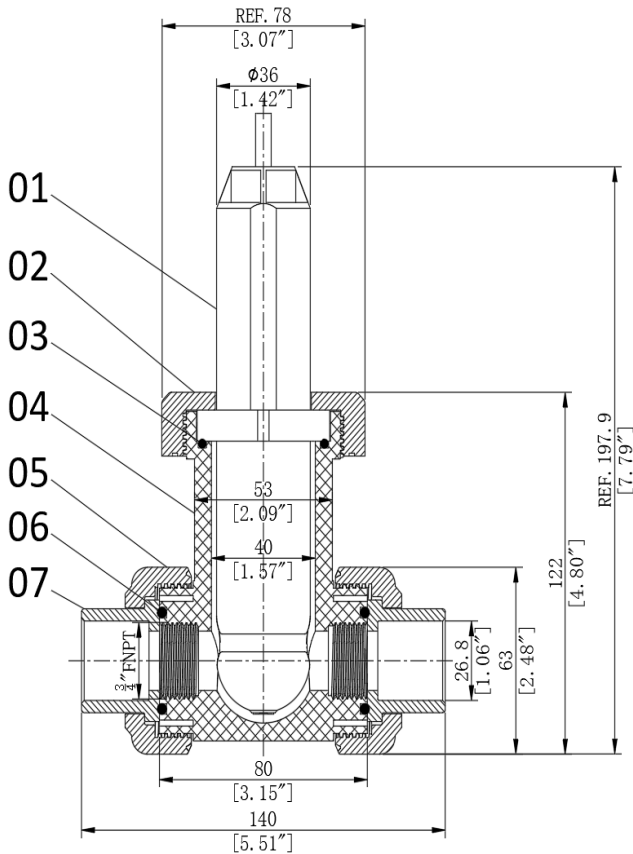
For use with ST and LT Series Pyxis Probes

ST-001 Tee Assembly Features

- 3/4" NPT Sch. 80 UPVC
- Socket & Thread Adapters Provided
- Unique Pyxis Probe Alignment Design
- 200psig Capable (77°F/25°C)
- ST-001 Fits ST/LT Series Pyxis Probes
- One ST-001 Tee Included w/Each Probe
- ST-002 Plug Available for Probe Removal



ST-001 (3/4" Standard Tee Assembly)



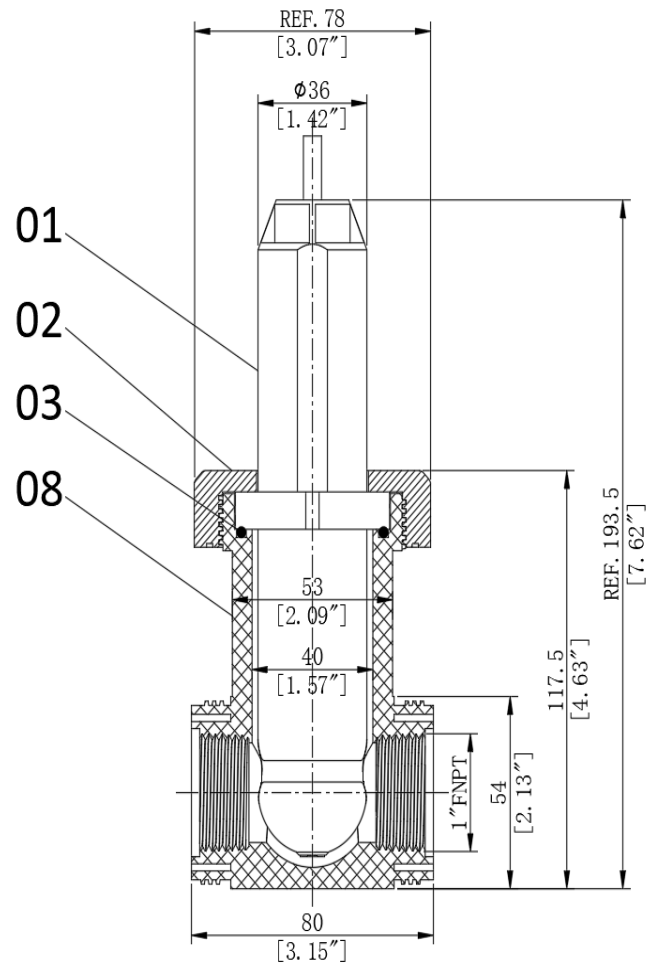
Item	Part	Material	QTY
01	ST/LT Series Probes	CPVC	1
02	Tee Nut	UPVC	1
03	Tee O-Ring	EPDM	1
04	3/4" Tee Body	UPVC	1
05	Union Nut	UPVC	2
06	Union Oring	EPDM	2
07	Union End	UPVC	2

ST-003 Tee Assembly Features

- 1" NPT Sch. 80 UPVC
- No Unions Provided – Smaller Footprint
- FNPT Threaded Body of Tee
- Unique Pyxis Probe Alignment Design
- 200psig Capable (77°F/25°C)
- ST-003 Fits ST/LT Series Pyxis Probes
- ST-003 Purchased Separately As Accessory
- ST-002 Plug Available for Probe Removal

ST-003 (1" FNPT Tee Assembly)

Item	Part	Material	QTY.
01	ST / LT Series Probes	CPVC	1
02	Tee Nut	UPVC	1
03	Tee O-Ring	EPDM	1
08	1" Tee Body	UPVC	1



Order Information

- ST-001 (Standard 3/4" FNPT Inline Tee Assembly w/Unions-Socket-Thread)
 ST-003 (Accessory 1" FNPT Inline Tee Assembly No Unions – Thread Only)
 MA-150 (Probe Seal O-Ring Replacement for ST-Series Tee Assemblies)
 MA-100 (Pair O-Ring Replacement for ST-001 Unions)
 ST-002 (CPVC Plug for ST Series Tee Assembly Allows Probe Removal)

P/N

- 50704
 50752
 MA-150
 MA-100
 ST-002