

pH/ORP Sensors

WEL Series Electrodes

Walchem's WEL Series electrodes are cost-effective differential pH and ORP electrodes for industrial applications



The WEL Series are modular in design with a rugged CPVC housing that contains the electronics. pH and ORP cartridges can easily be connected or replaced in minutes without tools. The cartridges feature a unique threaded interlock connection and a double o-ring seal, ensuring a watertight fit and secure seating at all times.

The optional differential preamplifier or 4 to 20 mA transmitter, and temperature compensation element are in the housing, and are not thrown away when the electrode needs replacement. The electrode is powered by the controller it is connected to, so the signal is always preamplified and there are no batteries to go dead.

A titanium solution ground rod integral to the housing enables the differential measuring technique. This results in prolonged electrode life and reliable measurement, resistance to stray voltages and currents or ground loop problems.

SPECIFICATIONS

HOUSING CODE	1, 7, A	2, 8, B	3	4	C, E	D, F
Input Range	± 1999 mVDC				±500 mVDC	-500 to 1000 mVDC
Output Range	± 1999 mVDC				Isolated 4 to 20 mA DC	
Input Impedance	1 x 10 ¹³ ohms					
Output Impedance	100 ohms	N/A				
Power	± 5 VDC (± 10%) 3 mA maximum	N/A			12 to 30 VDC, 21 mA maximum	
Temperature Range	32 to 158 °F (0 to 70 °C)	32 to 212 °F (0 to 100 °C)			32 to 160 °F (0 to 70 °C)	
Pressure	0 to 100 psi (0 to 6.9 Bar) See graph for Pressure versus Temperature					
Maximum Cable Length	1000 feet (305 meter)	20 feet (6 meters)			4000 feet (1219m) at 24 VDC power, 24 AWG cable	

CARTRIDGE CODE	PHH	PHB	PHF	PHLI	MVF	MVR
Range	0 to 14 pH Standard Units					± 2000 mV
Response	90% in less than 5 seconds					
Temperature Range	50 to 212 °F (0 to 100 °C)	32 to 212 °F (0 to 100 °C)	50 to 212 °F (10 to 100 °C)			
NOTE: Electrode life is drastically reduced when used above 122 F (50 C)						
Maximum Flow Velocity	10 ft/sec (3m/sec)					

WETTED MATERIALS OF CONSTRUCTION

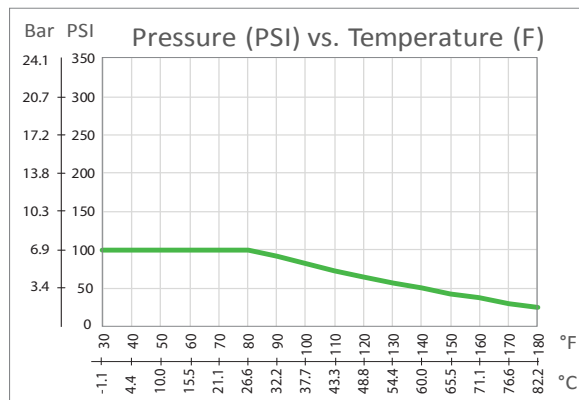
Cartridge and Housing	CPVC
Cartridge Reference Junction	HDPE
O-Rings	FKM
Housing Ground Rod	Titanium
Cartridge Electrode	Glass (pH) or Platinum (ORP)
Inline nut, tee and adapters	Glass Filled Reinforced Polypropylene

ORDER INFORMATION

WEL- -
 cartridge housing mounting style

HOUSING

- 1 = Housing with preamplifier and Pt 1000 ATC, 20 ft. cable for WebMaster/WIND/W400
- 2 = Housing with preamplifier, 20 ft. cable for WebMaster/WIND/W400
- 3 = Housing with Pt 1000 ATC, 20 ft. coaxial cable with BNC Connector
- 4 = Housing, 20 ft. coaxial cable with BNC Connector
- 7 = Housing with preamplifier for W100/W600/W900/Intuition, Pt1000, 20 ft cable with tinned leads
- 8 = Housing with preamplifier for W100/W600/W900/Intuition, 20 ft cable with tinned leads
- A = Housing with preamplifier for W100/W600/W900/Intuition, Pt 1000, 3 ft. cable with tinned leads
- B = Housing with preamplifier for W100/W600/W900/Intuition, 3 ft. cable with tinned leads
- C = Housing with pH range 4-20 mA transmitter, internal Pt 1000, 20 ft. 2-conductor cable with tinned leads
- D = Housing with ORP range 4-20 mA transmitter, 20 ft. 2-conductor cable with tinned leads
- E = Housing with pH range 4-20 mA transmitter, internal Pt 1000, 3 ft. 2-conductor cable with tinned leads
- F = Housing with ORP range 4-20 mA transmitter, 3 ft. 2-conductor cable with tinned leads
- N = No Housing, Cartridge Only



CARTRIDGE

- PHF = Flat surface pH
- PHB = Bulb pH
- PHH = HF resistant pH
- MVF = Flat surface ORP
- MVR = Rod style ORP
- PHLI = Flat pH, if sample is between 10 and 100µS/cm

MOUNTING STYLE

- 1 = Submersion Mounting, 1" NPTM thread on housing
- 2 = In-line mounting (3/4" NPTF tee)
- 3 = Metric in-line mounting (1/4" BSPT)
- 4 = In-line mounting (1/4" NPT male adapter)
- N = No Mounting Hardware, Cartridge Only

WDS Series

Walchem's WDS Series differential pH and ORP sensors will provide long-lasting and reliable performance in industrial and municipal applications.

The differential measurement technique uses two electrodes, one for the process measurement and the other for the reference measurement. Each electrode is measured differentially with respect to a third metal electrode. The reference electrode is constructed from pH glass and is embedded in pH 7 buffer within the sensor behind a porous, replaceable salt bridge. If the reference solution becomes contaminated, or the salt bridge becomes clogged, it is easily replaced. The glass electrode is not prone to chemical attack like a silver/silver chloride reference can be, adding to the reliability of the sensor.

KEY BENEFITS

- Replaceable salt bridge for long life
- Field proven differential design
- Transmits signal up to 1,000 feet (305 meters)
- Walchem preamplifier models are compatible with Walchem controllers
- Conventional preamplifier models are compatible with GLI and Aquamatrix (Lisle Metrix) controllers
- Resistant to ground loop problems

SPECIFICATIONS

Measurement Performance

Range: 0 to 14 pH, -2000 to 2000 mV (ORP)

Sensitivity: 0.001 pH, 0.1 mV

Stability: 0.03 pH per day, non-cumulative, 2 mV per day, non-cumulative

Temperature: -5 to 95°C (23 to 203°F)

Automatic Temperature Compensation: Pt1000 RTD

MECHANICAL

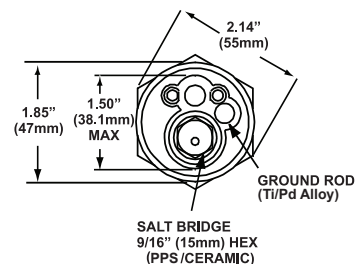
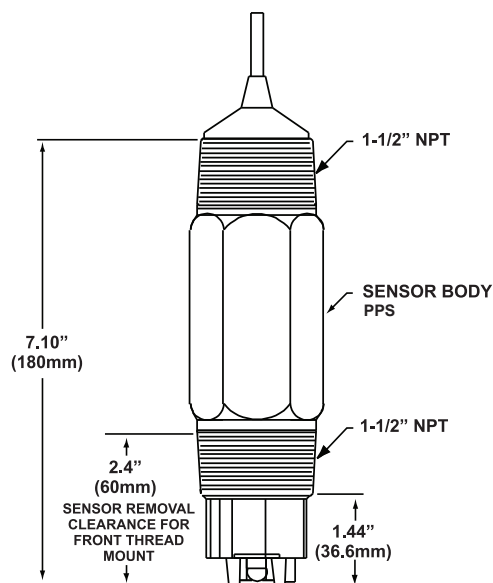
Wetted Materials:

PPS, Ceramic, Glass, FKM, Platinum (ORP only) and Titanium Palladium alloy

Cable (Walchem preamp)	3 twisted pair shielded
Cable (Conv. preamp)	5 conductor shielded
Cable length	15 ft (4.6 meters)
Maximum cable length	1,000 ft (305 meters)

Temperature Limit	-5 to 95°C (23 to 203°F)
Pressure Limit	0.7 MPa (100 PSI) @65°C (149°F)
Maximum Flow Velocity	10 ft./sec (3 m/sec)

The WDS Series (model numbers WDS-**W, Walchem preamplifier only) sensors are in compliance with CE EMC EN 61326-1 standards.



ORDERING INFORMATION

WDS	—	<input type="checkbox"/>	<input type="checkbox"/>
		sensor type	preamp type

SENSOR TYPE

PH = pH sensor
MV = ORP sensor

PREAMPLIFIER TYPE

W = Walchem preamplifier
C = Conventional preamplifier

pH/ORP Electrodes

High Pressure & High Temperature pH & ORP Electrodes

The 102029 pH electrode and 102963 ORP electrode are designed to function where other electrodes cannot. In room temperature water, they can handle up to 500 psi. In low pressure installations, they can handle up to 275°F (135°C) without melting.

In all cases, pH/ORP electrode life will be maximized by operating at room temperature, and the expected life span at temperatures above 140°F (60°C) will be short. But if low temperature operation is impossible, these electrodes will fit the bill.



KEY BENEFITS

- Higher temperature rating
- Steam sterilizable
- Transmits signal up to 1000 feet (305 meters)”
- Booted BNC, waterproof cable

SPECIFICATIONS

Reference cell	Double junction, Na ₂ SO ₄ + KCl , Ag/AgCl
Cable lead	10 ft. (3.05 m) length with BNC connector
Membrane impedance (pH)	150 megaohms at 77°F (25°C)
Zero potential (pH)	0 mV ±12 @ pH 7
Operating Temperature	23° to 275°F (-5° to 135°C) @ 200 PSI (1.38 MPa)
Operating Pressure	500 PSI (3.45 MPa) @ 77°F (25°C)
Maximum Flow Velocity	10 ft./sec (3 m/sec)
Range	0 to 14 pH, -1000 to 1000 mV
Output voltage (pH)	58.7 ±0.3 mV per pH unit
Drift	Less than 2 mV per week
Sodium error (pH)	Less than 0.5 pH unit typical in 0.1 Na+ @ 12.8 pH

DIMENSIONS

5" (127 mm) length x 0.47" (12 mm) diameter
Gland thread size 3/4" NPTM

MATERIALS OF CONSTRUCTION

PFA junction
Glass membrane (pH and ORP)
Platinum (ORP)
Polymer body
SS mounting gland

ORDERING INFORMATION

102027	Mounting Gland, SS, 3/4" NPT, High Temperature/Submersion (pH/ORP)
102028	Mounting Gland, SS, 3/4" NPT, High Temperature/In-line (pH/ORP)
102029	Electrode, pH, High Temperature, 10 ft. cable
102963	Electrode, ORP, High Temperature, 10 ft. cable

Preamplifiers

Walchem preamplifiers offer a way to use any standard non-amplified pH/ORP/ISE electrode with our controllers. Once amplified, the signal may be extended up to 1000 feet (305 meters) using 22 AWG cable.

For long cable runs, the external preamplifier comes packaged in a NEMA 4X wall mount enclosure that can withstand the elements. The electrode connects to this using a short coax cable, and once amplified the signal goes to the controller. For cable runs less than 20 feet (6 meters) total, the internal preamplifier may be mounted inside the controller's enclosure and the electrode cable attaches directly to it.



KEY BENEFITS

- Boosts signal for reliable transmission up to 1,000 ft (305 m) via 22 AWG wire
- No temperature simulation resistor required when used with Walchem controllers

SPECIFICATIONS

	191949 External Preamplifier	191938 Internal Preamplifier (terminal)	191936 Internal Preamplifier (BNC)
Power	± 5 VDC (± 10%) 3 mA maximum		
Input Impedance	1 x 10 ¹³ ohms		
pH/ORP/ISE Input Connections	BNC	Two position terminal block	BNC
Temperature Input Connections	Three position terminal block	Not applicable	
Output Connections	Six position terminal block	Four position connector, prewired with 5" cable	
Enclosure	NEMA 4X/IP 65 glass reinforced polyamide wall mount with PG11 cable glands	Non-NEMA rated Nylon 12 - needs to be installed inside the controller. For 191936, use a booted BNC on the sensor to prevent short circuit damage to the controller.	
Dimensions	4.5"L x 3.3"W x 1.3" H 115 mm x 84 mm x 34 mm	2.0"L, 0.79"W, 0.64"H 51 mm x 20 mm x 16 mm	2.0"L, 0.79"W, 1.01"H 51 mm x 20 mm x 26 mm

ORDER INFORMATION

- 191949 External pH/ORP/ISE Preamplifier
- 191938 Internal pH/ORP/ISE Preamplifier, Terminal Block Input
- 191936 Internal pH/ORP/ISE Preamplifier, BNC Input
- 100084 Cable, 4-conductor, for 191949 without temperature compensation
- 102535 Cable, 6-conductor, for 191949 with temperature compensation



Scan QR code with your smartphone camera for an overview of our entire Sensor line

About Us

Walchem integrates its advanced sensing, instrumentation, fluid pumping and communications technologies to deliver reliable and innovative solutions to the global water treatment market. Our in-house engineering is driven by quality, technology and innovation. For more information on the entire Walchem product line, visit: www.walchem.com.

WALCHEM

IWAKI America Inc.

ISO 9001 registered company

180470.L Jan 2024

Walchem, Iwaki America Inc.

Five Boynton Road Hopping Brook Park | Holliston, MA 01746 USA | Phone 508-429-1110 | walchem.com